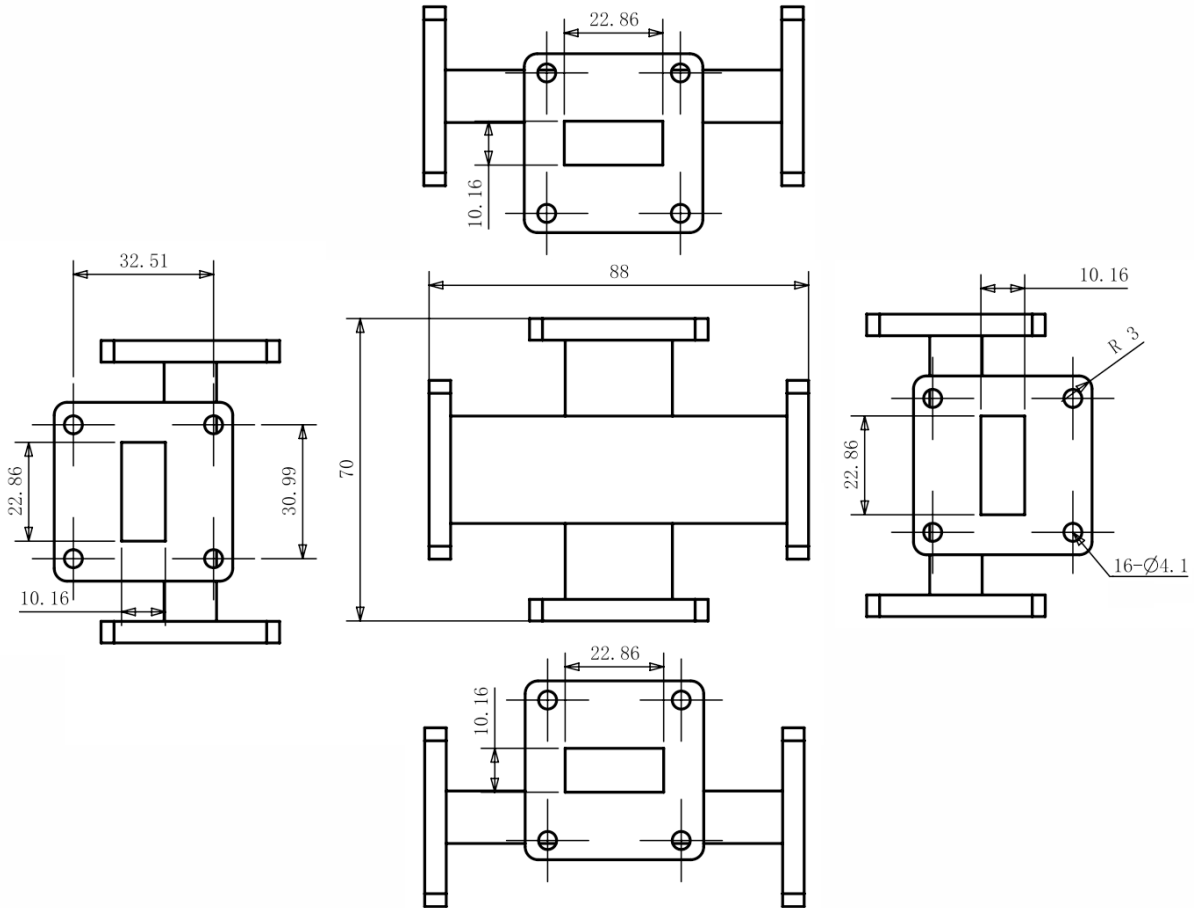


## WR90 Waveguide Directional Cross Coupler, **RWDCC90-50** 8.2-12.5GHz, Coupling 50dB, FBP100(UBR) Flange

Dimensions(mm) Tolerance $\pm 1\%$



### Electrical & Environmental

<b>Frequency Range</b>	8.2-12.5GHz	<b>Impedance</b>	50 Ohm
<b>VSWR Primary</b>	1.1 Max		
<b>VSWR Secondary</b>	1.2 Max		
<b>Insertion Loss</b>	dB Max		
<b>Directivity</b>	18dB Min		
<b>Nominal Coupling</b>	50 $\pm$ 1.0dB		

### Mechanical & Product Information

<b>Product Number</b>	RWDCC90-50, P-Grade	<b>Product Type</b>	Waveguide Directional Cross Coupler
<b>Waveguide</b>	WR90(BJ100), FBP100(UBR) Flange	<b>Waveguide Body</b>	Aluminum, grey painted
<b>Center Contact</b>	Aluminum, electric conductive oxidation		
<b>Housing</b>	Grey paint		
<b>Dimensions</b>	88(L) $\times$ 70(W)mm	<b>Net Weight</b>	-



Microwave and Millimeter wave products  
supplier

RFTOP® Technology Co., Ltd.  
[www.rftop.com](http://www.rftop.com) [service@rftop.com](mailto:service@rftop.com) 86-755-88840350