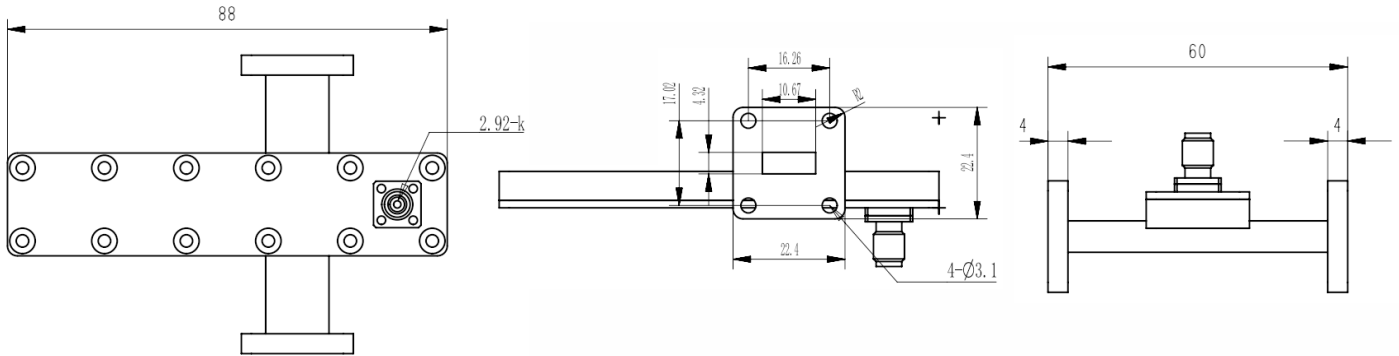


WR42 Waveguide Directional Cross Coupler, 2.92mm Female Coupled Port, [RWDC42K-30](#)
17.7-21.2GHz, Coupling 30dB, 250W, FBP220(UBR) Flange

Dimensions(mm) Tolerance±1%



Electrical & Environmental

Frequency Range	17.7-21.2GHz	Impedance	50 Ohm
VSWR Primary	1.1 Max		
VSWR Secondary	Max		
Insertion Loss	dB Max		
Directivity	20dB Min		
Nominal Coupling	30±0.75dB		
Input Avg Power	250 Watts max @25°C (Derate linearly to 25 Watt at 100°C)		

Mechanical & Product Information

Product Number	RWDC42K-30, P-Grade	Product Type	Waveguide Directional Cross Coupler
Waveguide	WR42(BJ220), FBP220(UBR) Flange	Waveguide Body	Aluminum, grey painted
Coupled Port	2.92mm Female	Connector Body	Passivated stainless steel
Center Contact	Aluminum, electric conductive oxidation		
Housing	Grey paint		
Dimensions	88(L)×60(W)mm	Net Weight	-



Microwave and Millimeter wave products
supplier

RFTOP® Technology Co., Ltd.
www.rftop.com service@rftop.com 86-755-88840350