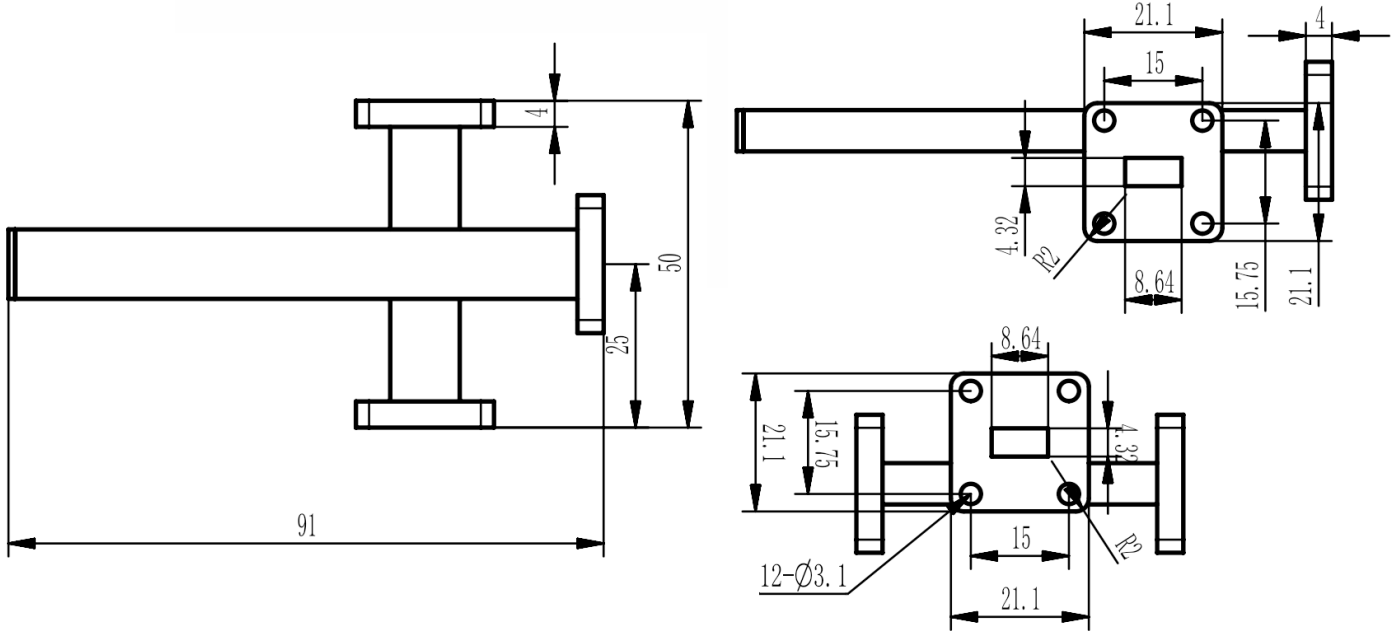


WR34 Waveguide Directional Cross Coupler, RWDC34-50 22-33GHz, Coupling 50dB, FBP260(UBR) Flange

Dimensions(mm) Tolerance $\pm 1\%$



Electrical & Environmental

Frequency Range	22-33GHz	Impedance	50 Ohm
VSWR Primary	1.1 Max		
VSWR Secondary	1.25 Max		
Insertion Loss	dB Max		
Directivity	15dB Min		
Nominal Coupling	50 \pm 1.5dB		

Mechanical & Product Information

Product Number	RWDC34-50, P-Grade	Product Type	Waveguide Directional Cross Coupler
Waveguide	WR34(BJ260), FBP260(UBR) Flange	Waveguide Body	Aluminum, grey painted
Center Contact	Aluminum, electric conductive oxidation		
Housing	Grey paint		
Dimensions	91(L) \times 50(W)mm	Net Weight	-