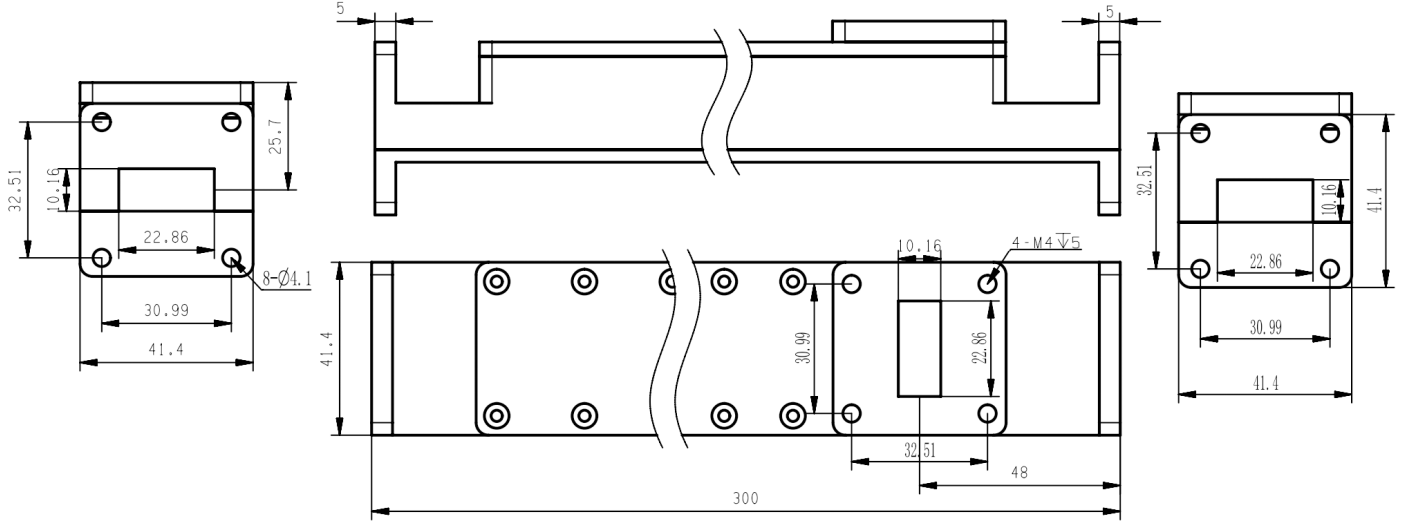


## WR90 Waveguide Directional Coupler, RWDC90-20 8.2-12.4GHz, Coupling 20dB, FBP100(UBR) Flange

### Dimensions(mm) Tolerance±1%



### Electrical & Environmental

<b>Frequency Range</b>	8.2-12.4GHz	<b>Impedance</b>	50 Ohm
<b>VSWR Primary</b>	1.1 Max		
<b>VSWR Secondary</b>	1.3 Max		
<b>Insertion Loss</b>	dB Max		
<b>Directivity</b>	30dB Min		
<b>Nominal Coupling</b>	20±1.0dB		

### Mechanical & Product Information

<b>Product Number</b>	RWDC90-20, P-Grade	<b>Product Type</b>	Waveguide Directional Coupler
<b>Waveguide</b>	WR90(BJ100), FBP100(UBR) Flange	<b>Waveguide Body</b>	Aluminum, grey painted
<b>Center Contact</b>	Aluminum, electric conductive oxidation		
<b>Housing</b>	Grey paint		
<b>Dimensions</b>	300×41.4×41.4mm	<b>Net Weight</b>	-