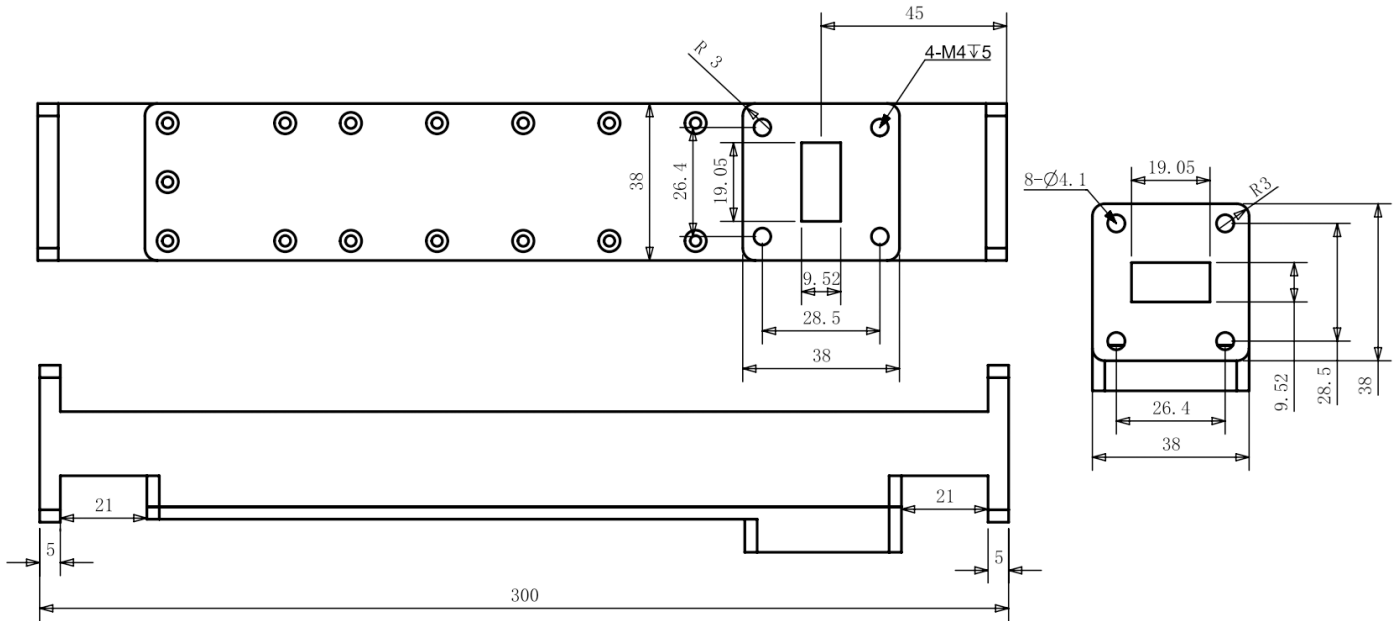




WR75 Waveguide Directional Coupler, RWDC75-20 9.84-15GHz, Coupling 20dB, FBP120(UBR) Flange

Dimensions(mm) Tolerance $\pm 1\%$



Electrical & Environmental

Frequency Range	9.84-15GHz	Impedance	50 Ohm
VSWR Primary	1.1 Max		
VSWR Secondary	1.25 Max		
Insertion Loss	dB Max		
Directivity	20dB Min		
Nominal Coupling	20 \pm 1.5dB		

Mechanical & Product Information

Product Number	RWDC75-20, P-Grade	Product Type	Waveguide Directional Coupler
Waveguide	WR75(BJ120), FBP120(UBR) Flange	Waveguide Body	Aluminum, grey painted
Center Contact	Aluminum, electric conductive oxidation		
Housing	Grey paint		
Dimensions	300 \times 38 \times 38mm	Net Weight	-