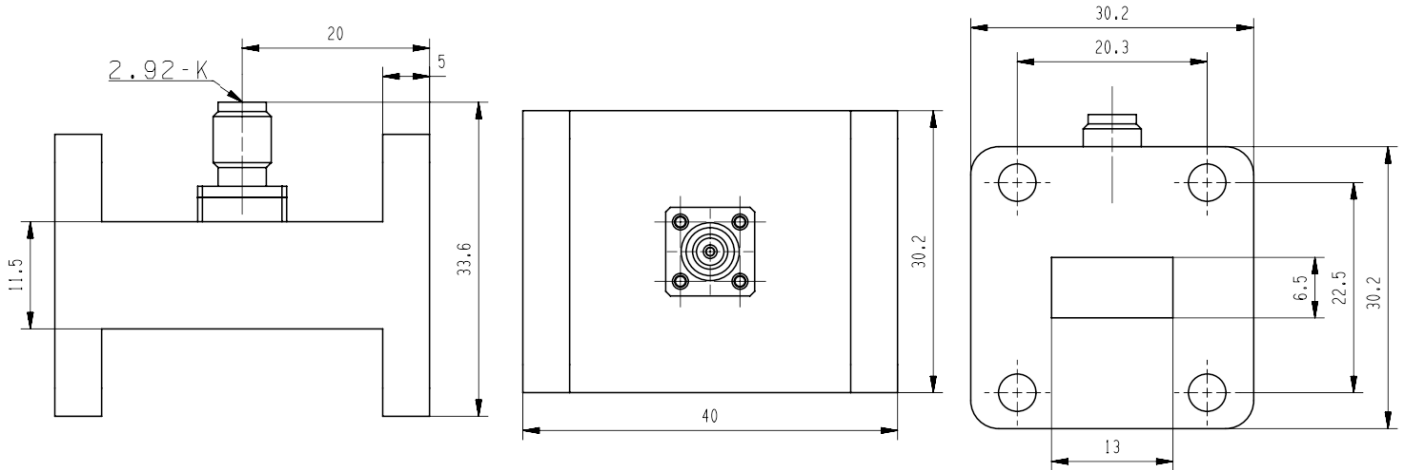


WR51 Waveguide Directional Coupler, 2.92mm Female Coupled Port, RWDC51K-40 17-20GHz, Coupling 40dB, FBP180(UBR) Flange

Dimensions(mm) Tolerance $\pm 1\%$



Electrical & Environmental

Frequency Range	17-20GHz	Impedance	50 Ohm
VSWR Primary	1.1 Max		
VSWR Secondary	Max		
Insertion Loss	0.2dB Max		
Nominal Coupling	40 \pm 1.0dB		

Mechanical & Product Information

Product Number	RWDC51K-40, P-Grade	Product Type	Waveguide Directional Coupler
Waveguide	WR51(BJ180), FBP180(UBR) Flange	Waveguide Body	Aluminum, grey painted
Coupled Port	2.92mm Female	Connector Body	Passivated stainless steel
Center Contact	Aluminum, electric conductive oxidation		
Housing	Grey paint		
Dimensions	40(L) \times 30.2(W) \times 30.2(H)mm	Net Weight	-



Microwave and Millimeter wave products
supplier

RFTOP® Technology Co., Ltd.
www.rftop.com service@rftop.com 86-755-88840350