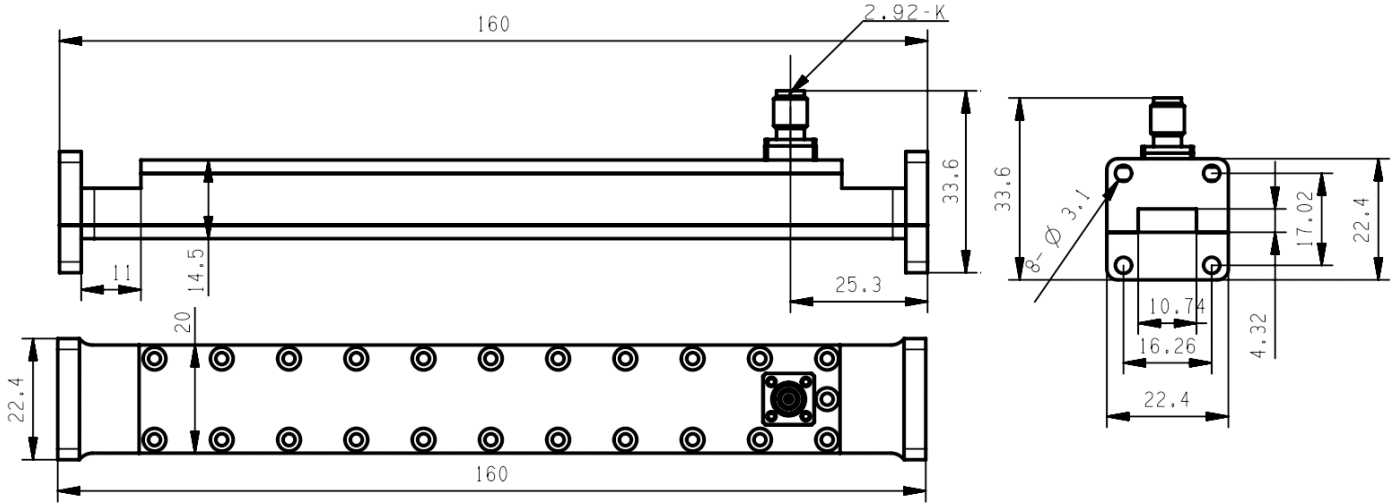


**WR42 Waveguide Directional Coupler, 2.92mm Female Coupled Port,**  
**RWDC42K-40**  
**18-26.5GHz, Coupling 40dB, FBP220(UBR) Flange**

**Dimensions(mm) Tolerance±1%**



**Electrical & Environmental**

<b>Frequency Range</b>	18-26.5GHz	<b>Impedance</b>	50 Ohm
<b>VSWR Primary</b>	1.1 Max		
<b>VSWR Secondary</b>	1.25 Max		
<b>Insertion Loss</b>	dB Max		
<b>Directivity</b>	30dB Min		
<b>Nominal Coupling</b>	40±1.0dB		

**Mechanical & Product Information**

<b>Product Number</b>	RWDC42K-40, P-Grade	<b>Product Type</b>	Waveguide Directional Coupler
<b>Waveguide</b>	WR42(BJ220), FBP220(UBR) Flange	<b>Waveguide Body</b>	Aluminum, grey painted
<b>Coupled Port</b>	2.92mm Female	<b>Connector Body</b>	Passivated stainless steel
<b>Center Contact</b>	Aluminum, electric conductive oxidation		
<b>Housing</b>	Grey paint		
<b>Dimensions</b>	160×22.4×22.4mm	<b>Net Weight</b>	-



Microwave and Millimeter wave products  
supplier

RFTOP® Technology Co., Ltd.  
[www.rftop.com](http://www.rftop.com) [service@rftop.com](mailto:service@rftop.com) 86-755-88840350