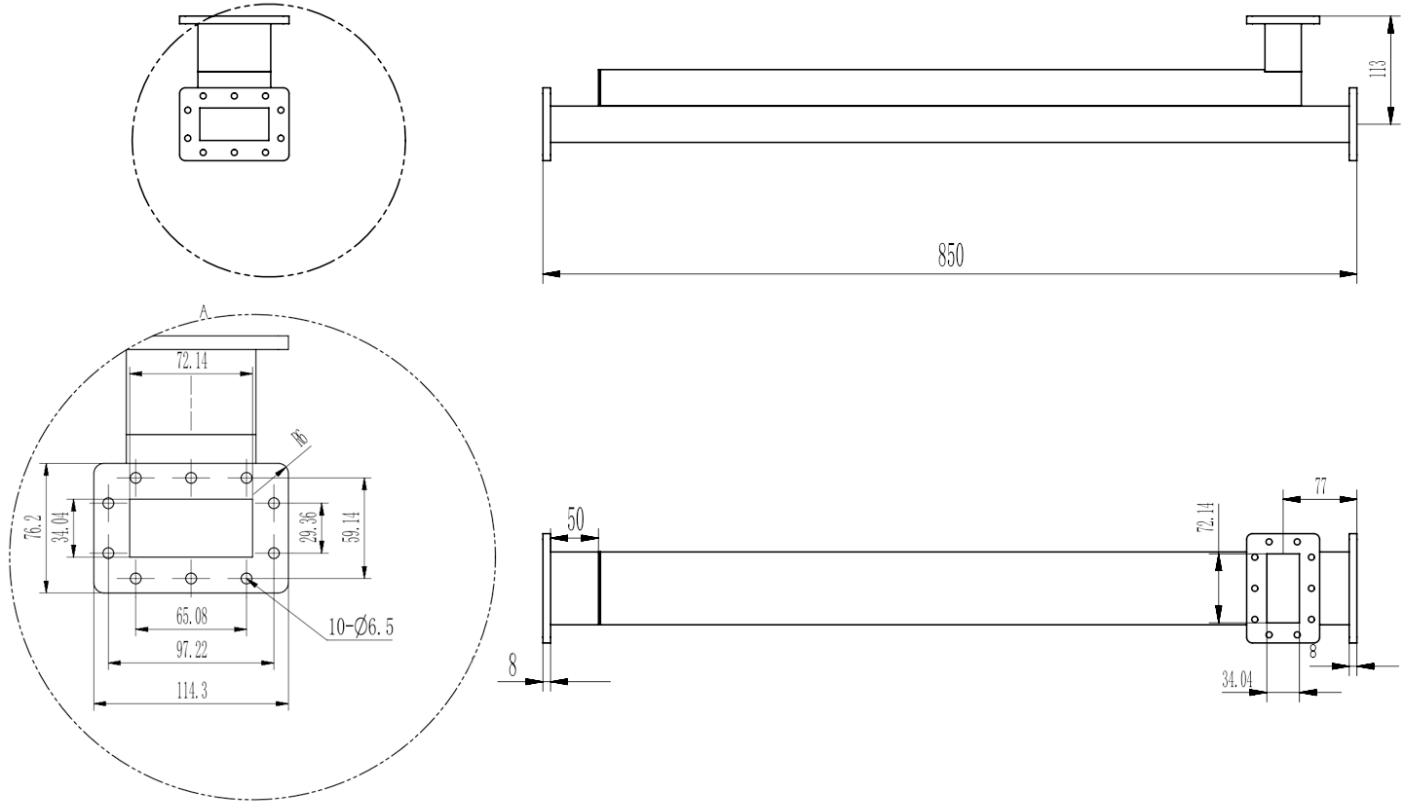




WR284 Directional Waveguide Coupler, RWDC284-20 2.6-3.95GHz, Coupling 20dB, FDP32(UDR) Flange

Dimensions(mm) Tolerance±1%



Electrical & Environmental

Frequency Range	2.6-3.95GHz	Impedance	50 Ohm
VSWR Primary	1.1 Max		
VSWR Secondary	1.25 Max		
Insertion Loss	dB Max		
Directivity	27dB Min		
Nominal Coupling	20±1.0dB		

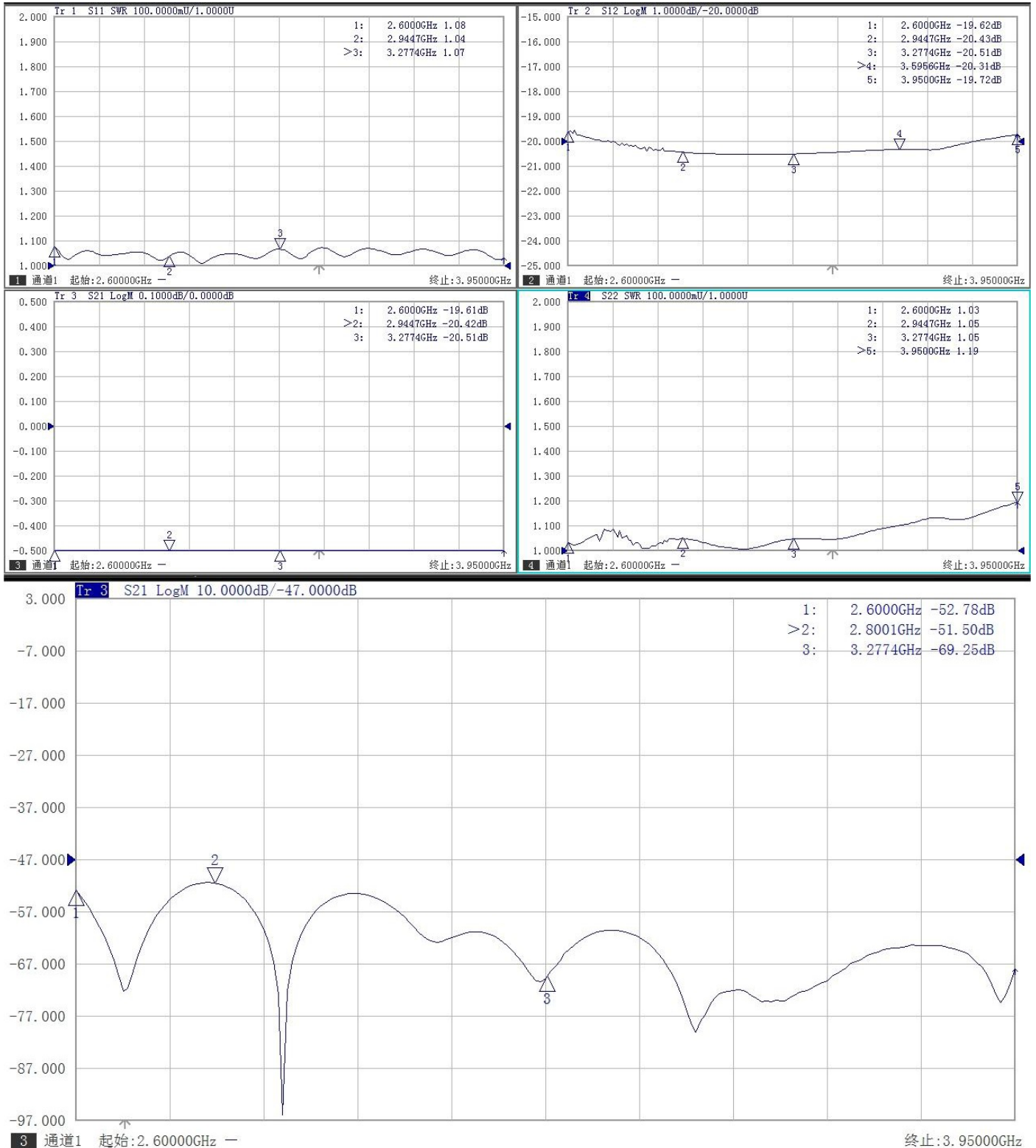
Mechanical & Product Information

Product Number	RWDC284-20, P-Grade, High Directional	Product Type	Waveguide Coupler
Waveguide	WR284(BJ32), FDP32(UDR) Flange	Waveguide Body	Aluminum, grey painted
Center Contact	Aluminum, electric conductive oxidation		
Housing	Grey paint		
Dimensions	850×113×72.14mm	Net Weight	-



WR284 Waveguide Coupler, RWDC284-20 2.6-3.95GHz, Coupling 20dB, FDP32(UDR) Flange

Typical Test Data





Microwave and Millimeter wave products
supplier

RFTOP® Technology Co., Ltd.
www.rftop.com service@rftop.com 86-755-88840350