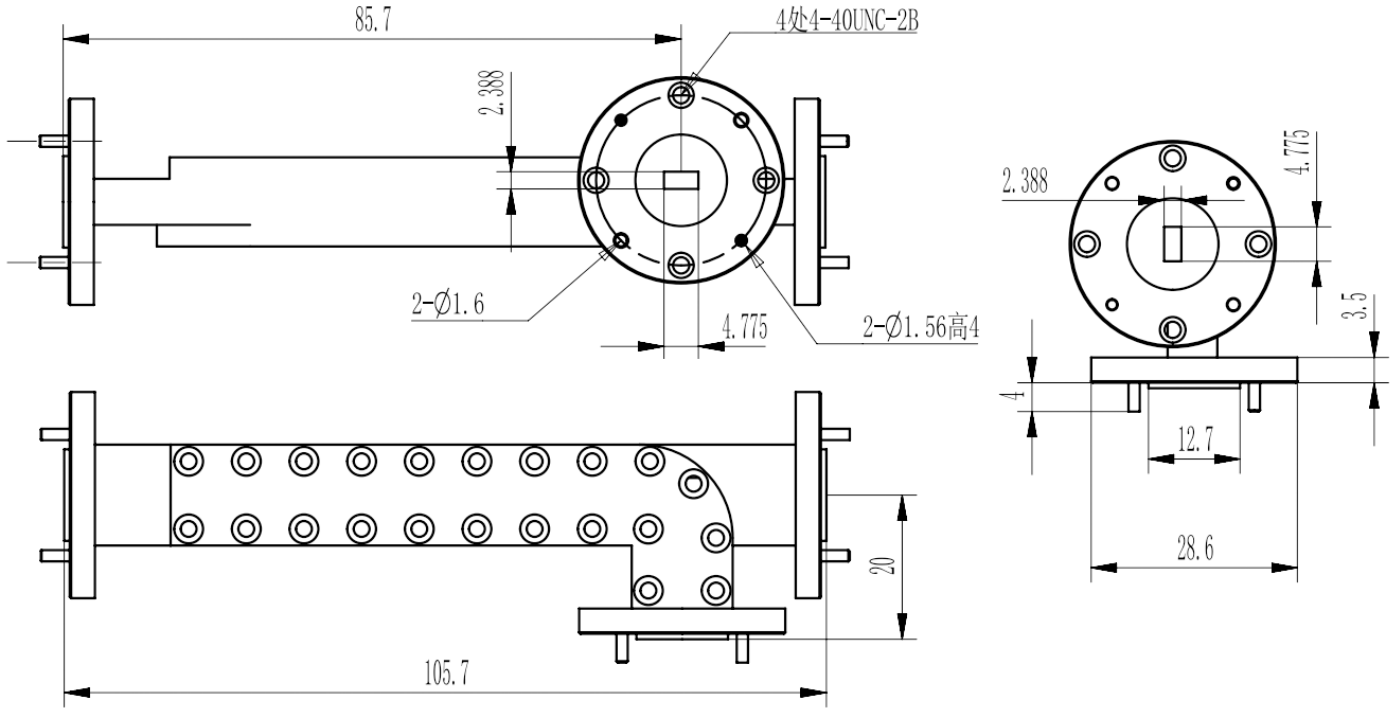


WR19 Waveguide Directional Coupler, RWDC19-30 39.2-59.6GHz, Coupling 30dB, FUGP500 Circular Flange

Dimensions(mm) Tolerance $\pm 1\%$



Electrical & Environmental

Frequency Range	39.2-59.6GHz	Impedance	50 Ohm
VSWR Primary	1.1 Max		
VSWR Secondary	1.15 Max		
Insertion Loss	dB Max		
Directivity	27dB Min		
Nominal Coupling	30 \pm 1.0dB		

Mechanical & Product Information

Product Number	RWDC19-30, P-Grade	Product Type	Waveguide Directional Coupler
Waveguide	WR19(BJ500), FUGP500 Circular Flange	Waveguide Body	Copper, gold plated
Center Contact	Copper, gold plated		
Housing	Copper, gold plated		
Dimensions	105.7(L) \times 28.6(ϕ)mm	Net Weight	-