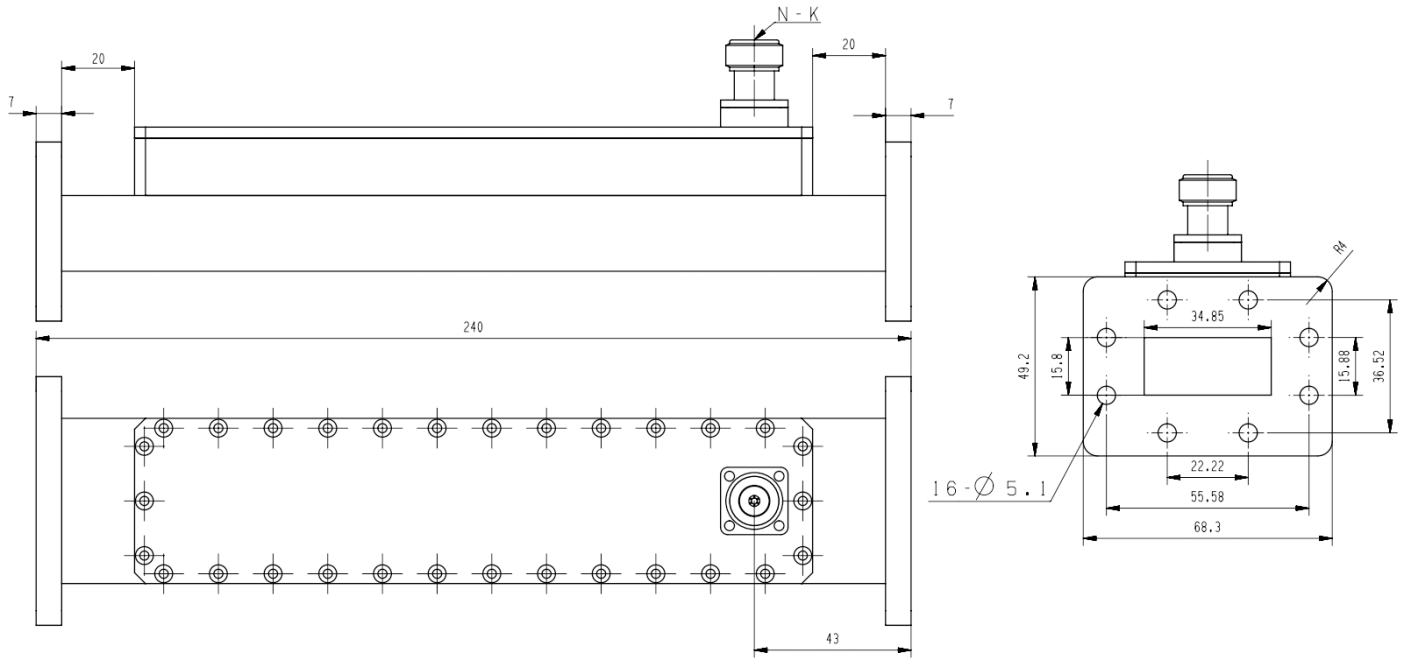


# WR137 Waveguide Directional Coupler, N Female Coupled Port, RWDC137N-40

## 5.38-8.17GHz, Coupling 40dB, FDP70(UDR) Flange

### Dimensions(mm) Tolerance±1%



### Electrical & Environmental

|                         |              |                  |        |
|-------------------------|--------------|------------------|--------|
| <b>Frequency Range</b>  | 5.38-8.17GHz | <b>Impedance</b> | 50 Ohm |
| <b>VSWR Primary</b>     | 1.1 Max      |                  |        |
| <b>VSWR Secondary</b>   | 1.25 Max     |                  |        |
| <b>Insertion Loss</b>   | dB Max       |                  |        |
| <b>Directivity</b>      | 30dB Min     |                  |        |
| <b>Nominal Coupling</b> | 40±1.0dB     |                  |        |

### Mechanical & Product Information

|                       |   |                       |                               |
|-----------------------|---|-----------------------|-------------------------------|
| <b>Product Number</b> | RWDC137N-40, P-Grade                    | <b>Product Type</b>   | Waveguide Directional Coupler |
| <b>Waveguide</b>      | WR137(BJ70), FDP70(UDR) Flange          | <b>Waveguide Body</b> | Aluminum, grey painted        |
| <b>Coupled Port</b>   | N Female                                | <b>Connector Body</b> | Passivated stainless steel    |
| <b>Center Contact</b> | Aluminum, electric conductive oxidation |                       |                               |
| <b>Housing</b>        | Grey paint                              |                       |                               |
| <b>Dimensions</b>     | 240×68.3×49.2mm                         | <b>Net Weight</b>     | -                             |



Microwave and Millimeter wave products  
supplier

RFTOP® Technology Co., Ltd.  
[www.rftop.com](http://www.rftop.com) [service@rftop.com](mailto:service@rftop.com) 86-755-88840350