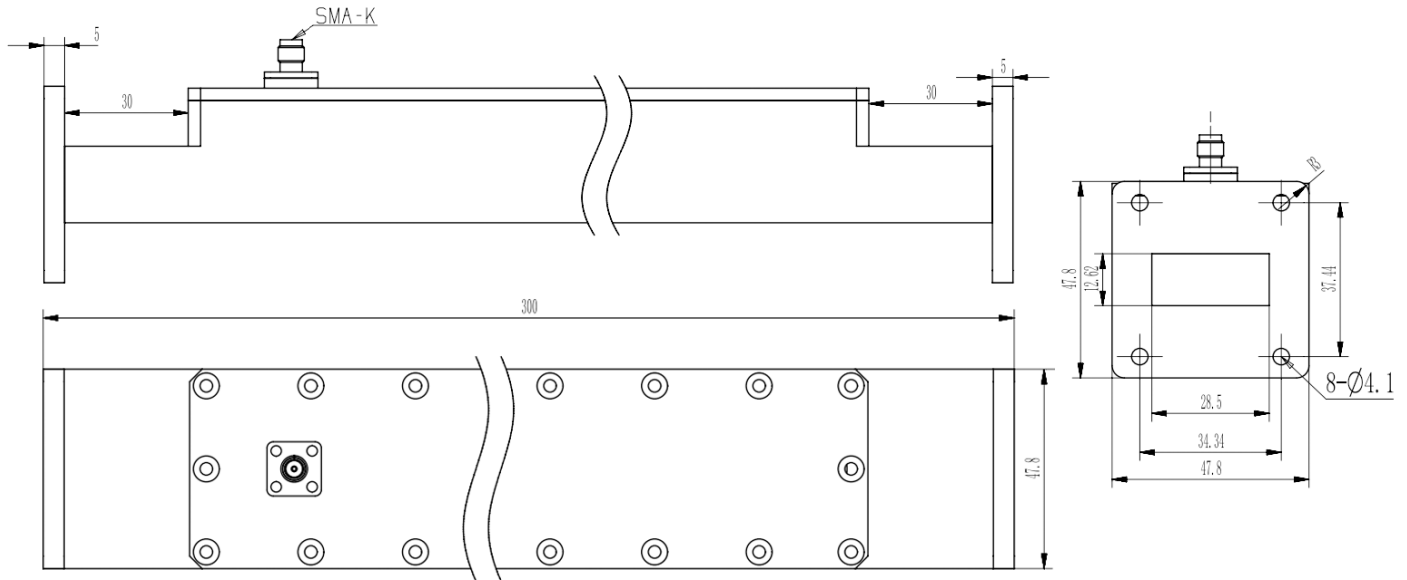


WR112 Waveguide Directional Coupler, SMA Female Coupled Port, RWDC112S-40 6.57-9.99GHz, Coupling 40dB, FBP84(UBR) Flange

Dimensions(mm) Tolerance $\pm 1\%$



Electrical & Environmental

Frequency Range	6.57-9.99GHz	Impedance	50 Ohm
VSWR Primary	1.1 Max		
VSWR Secondary	1.25 Max		
Insertion Loss	dB Max		
Directivity	30dB Min		
Nominal Coupling	40 \pm 1.0dB		

Mechanical & Product Information

Product Number	RWDC112S-40, P-Grade	Product Type	Waveguide Directional Coupler
Waveguide	WR112(BJ84), FBP84(UBR) Flange	Waveguide Body	Aluminum, grey painted
Coupled Port	SMA Female	Connector Body	Passivated stainless steel
Center Contact	Aluminum, electric conductive oxidation		
Housing	Grey paint		
Dimensions	300 \times 47.8 \times 47.8mm	Net Weight	-



Microwave and Millimeter wave products
supplier

RFTOP® Technology Co., Ltd.
www.rftop.com service@rftop.com 86-755-88840350