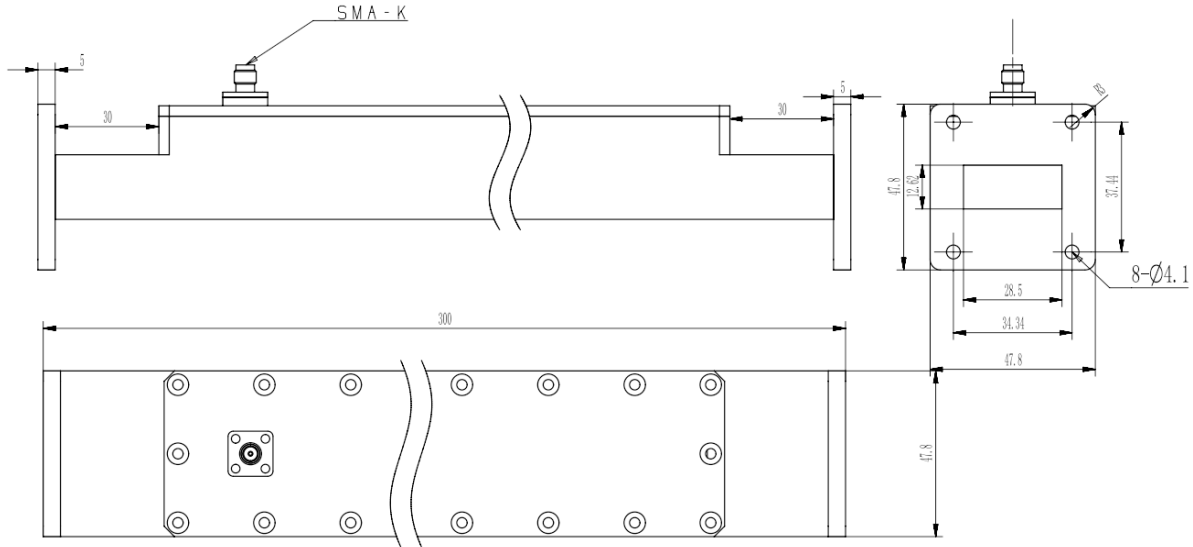


WR112 Directional Waveguide Coupler, RWDC112S-20 6.57-9.99GHz, Coupling 20dB, UBR84 Flange

Dimensions(mm) Tolerance $\pm 1\%$



Electrical & Environmental

Frequency Range	6.57-9.99GHz
VSWR Primary	1.1 Max
VSWR Secondary	1.3 Max
Nominal Coupling	20dB ± 1.0 dB
Directivity	30dB Min

Mechanical & Product Information

Product Number	RWDC112S-20, P-Grade, High Directional	Product Type	Waveguide Coupler
Coupled Port	SMA Female	Connector Body	Passivated stainless steel
Waveguide	WR112(BJ84), UBR84 Flange	Waveguide Body	Aluminum, grey painted
Center Contact	Aluminum, electric conductive oxidation		
Housing	Grey paint		
Dimensions	300 \times 47.8 \times 47.8mm	Net Weight	-