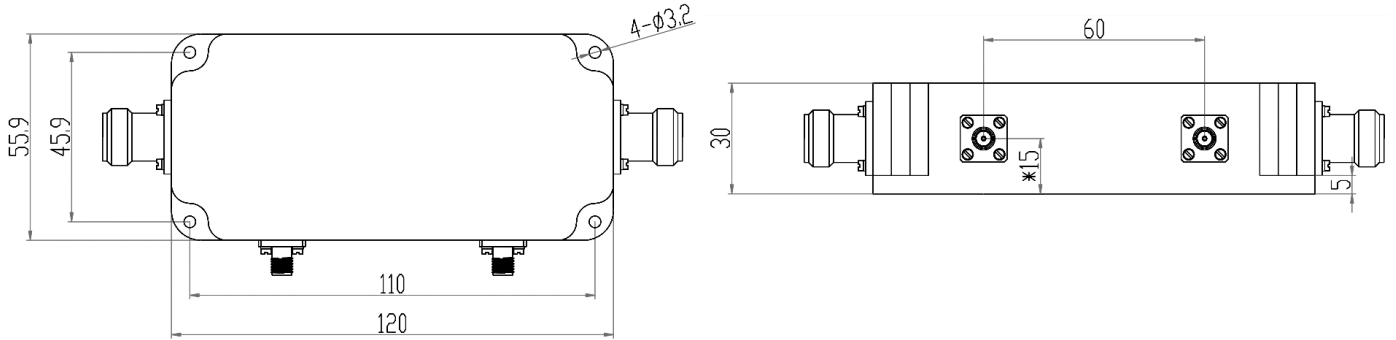


N Dual Directional Coaxial Coupler, RDCDK10M100NW500-50 0.01-100MHz, Coupling 50dB, 500W

Dimensions(mm) Tolerance $\pm 1\%$



Electrical & Environmental

Frequency Range	0.01-100MHz	Impedance	50 Ohm
VSWR Primary	1.3 Max		
VSWR Secondary	Max		
Insertion Loss	0.5dB Max		
Directivity	16dB Min		
Frequency Sensitivity	± 1.2 dB		
Nominal Coupling	50 ± 1.5 dB		
Input Avg Power	500 Watts max @25°C (Derate linearly to 50 Watt at 100°C)		
Operating Temp	-55°C~+85°C		

Mechanical & Product Information

Product Number	RDCDK10M100NW500-50	Product Type	Coaxial Coupler
Connector	N Female	Connector Body	Passivated stainless steel
Center Contact	Gold plated beryllium copper		
Housing	Sandblasting natural color conductive oxide		
Dimensions	120(L) \times 55.9(W) \times 30(H)mm	Net Weight	-