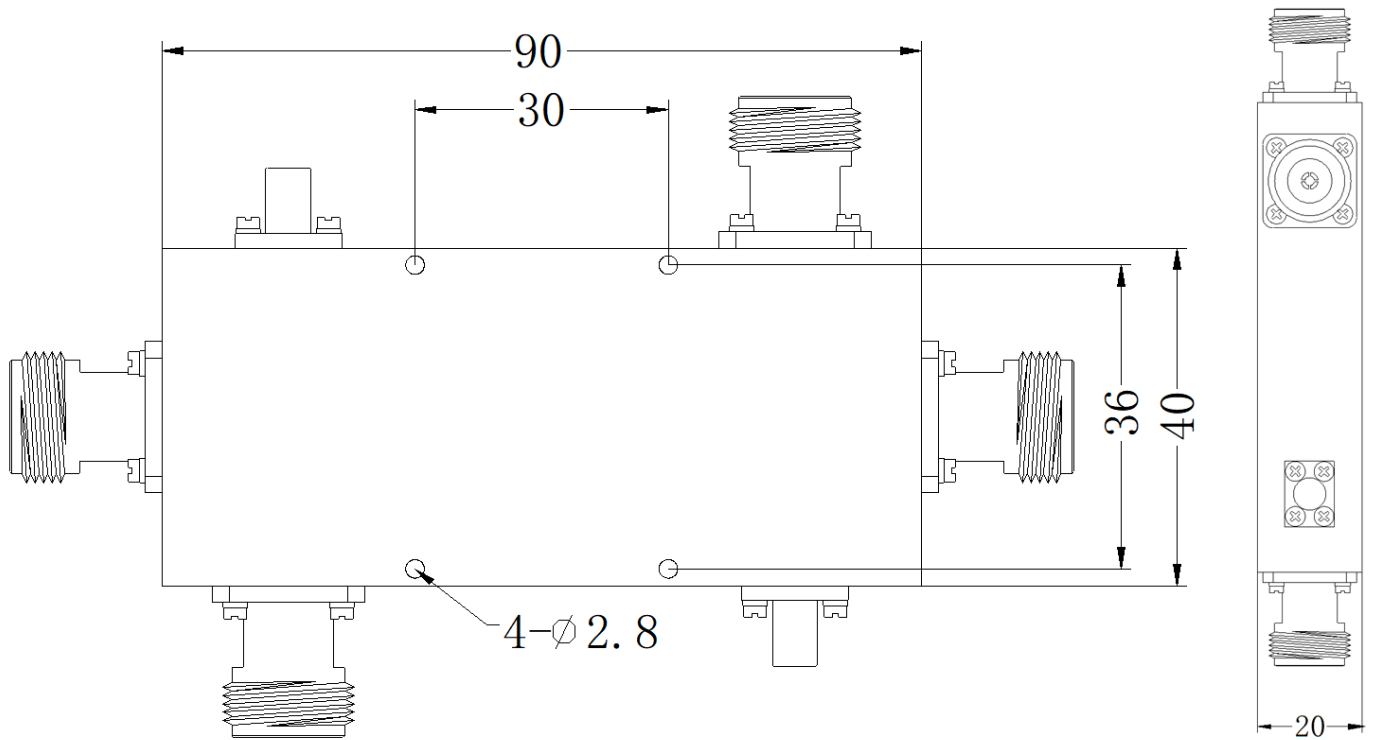


N Dual Directional Coupler, RDCD1F6N-40 1-6GHz, Coupling 40dB, 50W

Dimensions(mm) Tolerance $\pm 1\%$



Electrical & Environmental

Frequency Range	1-6GHz	Impedance	50 Ohm
VSWR Primary	1.3 Max (Typ.1.2)		
VSWR Secondary	1.3 Max (Typ.1.2)		
Insertion Loss	0.5dB Max		
Directivity	16dB Min		
Nominal Coupling	40 \pm 1.2dB		
Input Avg Power	50 Watts max @25°C (Derate linearly to 5 Watt at 100°C)		
Operating Temp	-45°C~85°C		

Mechanical & Product Information

Product Number	RDCD1F6N-40	Product Type	Dual Directional Coupler
Connector	N Female	Connector Body	Passivated stainless steel
Center Contact	Gold plated beryllium copper		
Housing	Sandblasting natural color conductive oxide		
Dimensions	90 \times 40 \times 20mm	Net Weight	-