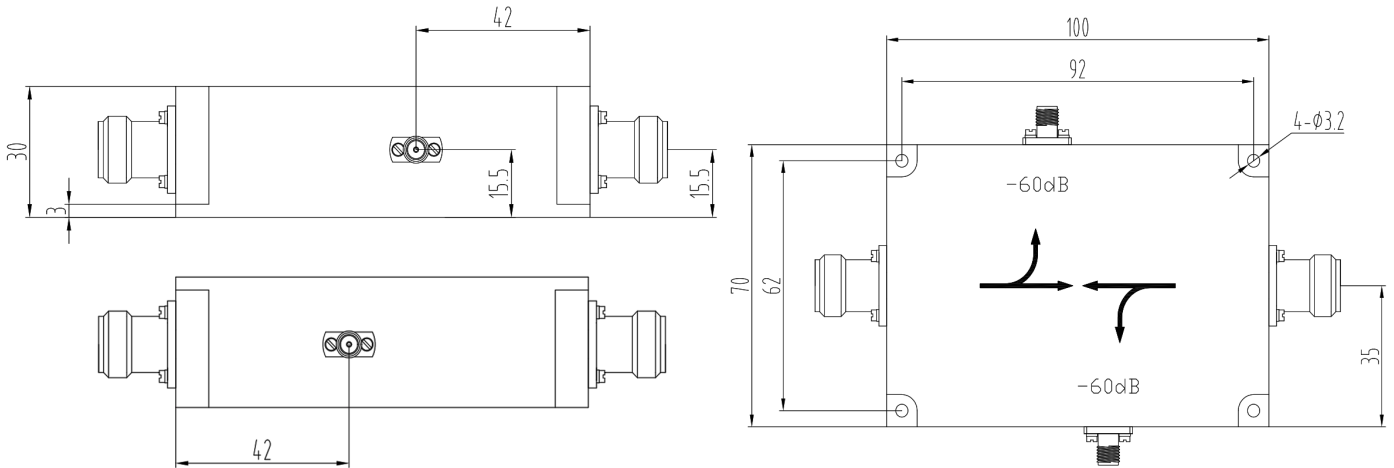


## N Dual Directional Coupler, RDCD0001F003N-60 1-30MHz, Coupling 60dB, 3000W

### Dimensions(mm) Tolerance $\pm 1\%$



### Electrical & Environmental

<b>Frequency Range</b>	1-30MHz	<b>Impedance</b>	50 Ohm
<b>VSWR Primary</b>	1.1 Max		
<b>VSWR Secondary</b>	1.4 Max		
<b>Insertion Loss</b>	0.1dB Max		
<b>Directivity</b>	20dB Min		
<b>Frequency Sensitivity</b>	$\pm 0.5$ dB		
<b>Nominal Coupling</b>	$60 \pm 1.0$ dB		
<b>Input Avg Power</b>	3000 Watts max @25°C (Derate linearly to 300 Watt at 100°C)		
<b>Operating Temp</b>	-10°C~+60°C		

### Mechanical & Product Information

<b>Product Number</b>	RDCD0001F003N-60	<b>Product Type</b>	Dual Directional Coupler
<b>Connector</b>	N Female	<b>Connector Body</b>	Ternary alloy plated brass
<b>Center Contact</b>	Gold plated beryllium copper		
<b>Housing</b>	Sandblasting natural color conductive oxide		
<b>Dimensions</b>	100×70×30mm	<b>Net Weight</b>	-