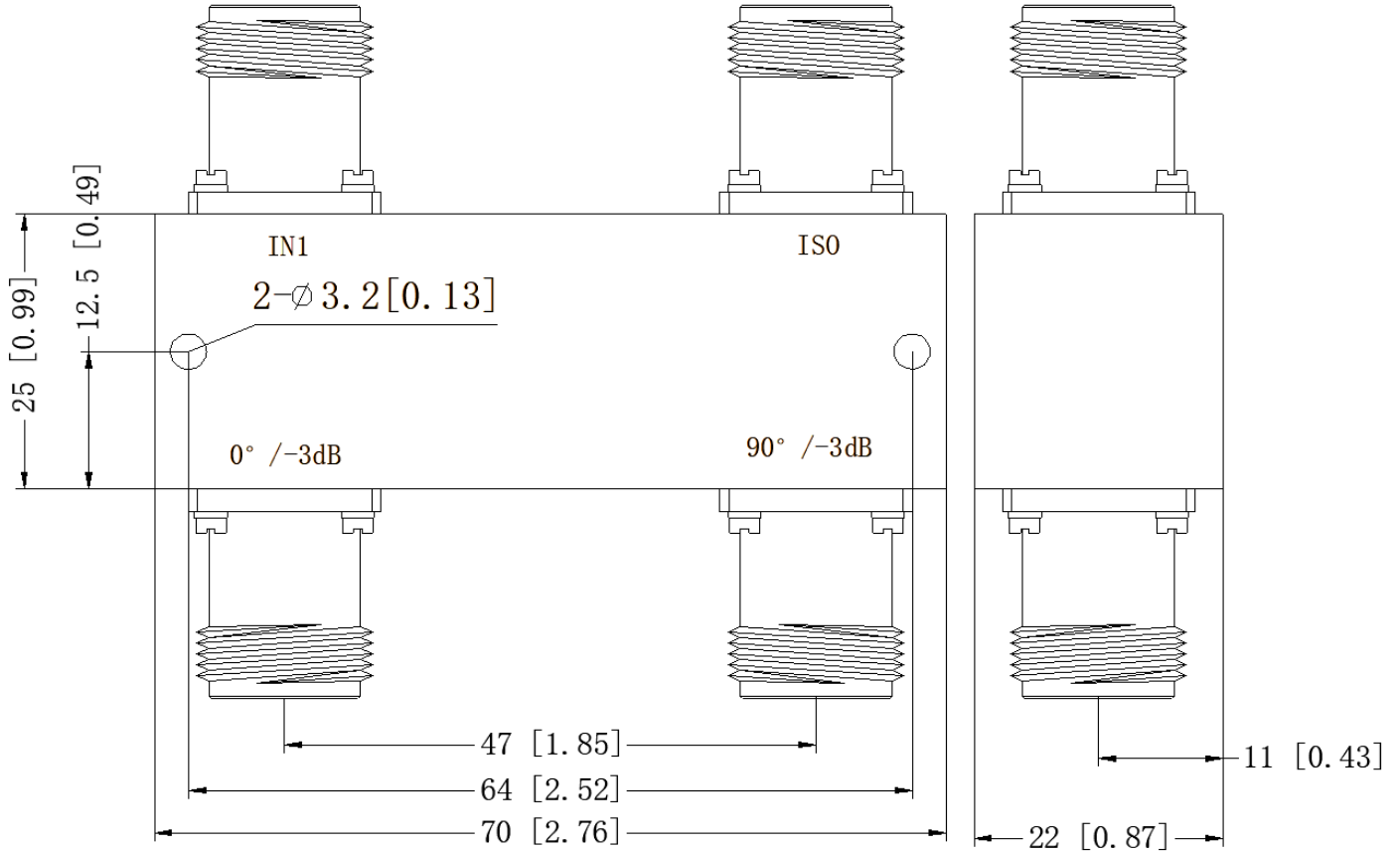


## N 90 Degree Bridge, RDCBA5F6N-4 5-6GHz, 50W

### Dimensions(mm) Tolerance±1%



### Electrical & Environmental

Frequency Range	5-6GHz	Impedance	50 Ohm
VSWR Primary	1.35 Max		
VSWR Secondary	Max		
Insertion Loss	1.2dB Max		
Phase Balance	$\pm 4^\circ$		
Input Avg Power	50 Watts max @25°C (Derate linearly to 5 Watt at 100°C)		
Operating Temp	-45°C~+85°C		

### Mechanical & Product Information

Product Number	RDCBA5F6N-4	Product Type	90 Degree Bridge
Connector	N Female	Connector Body	Ternary alloy plated brass
Center Contact	Gold plated beryllium copper		
Housing	Light blue paint		
Dimensions	70×25×22mm	Net Weight	-



Microwave and Millimeter wave products  
supplier

RFTOP® Technology Co., Ltd.  
[www.rftop.com](http://www.rftop.com) [service@rftop.com](mailto:service@rftop.com) 86-755-88840350