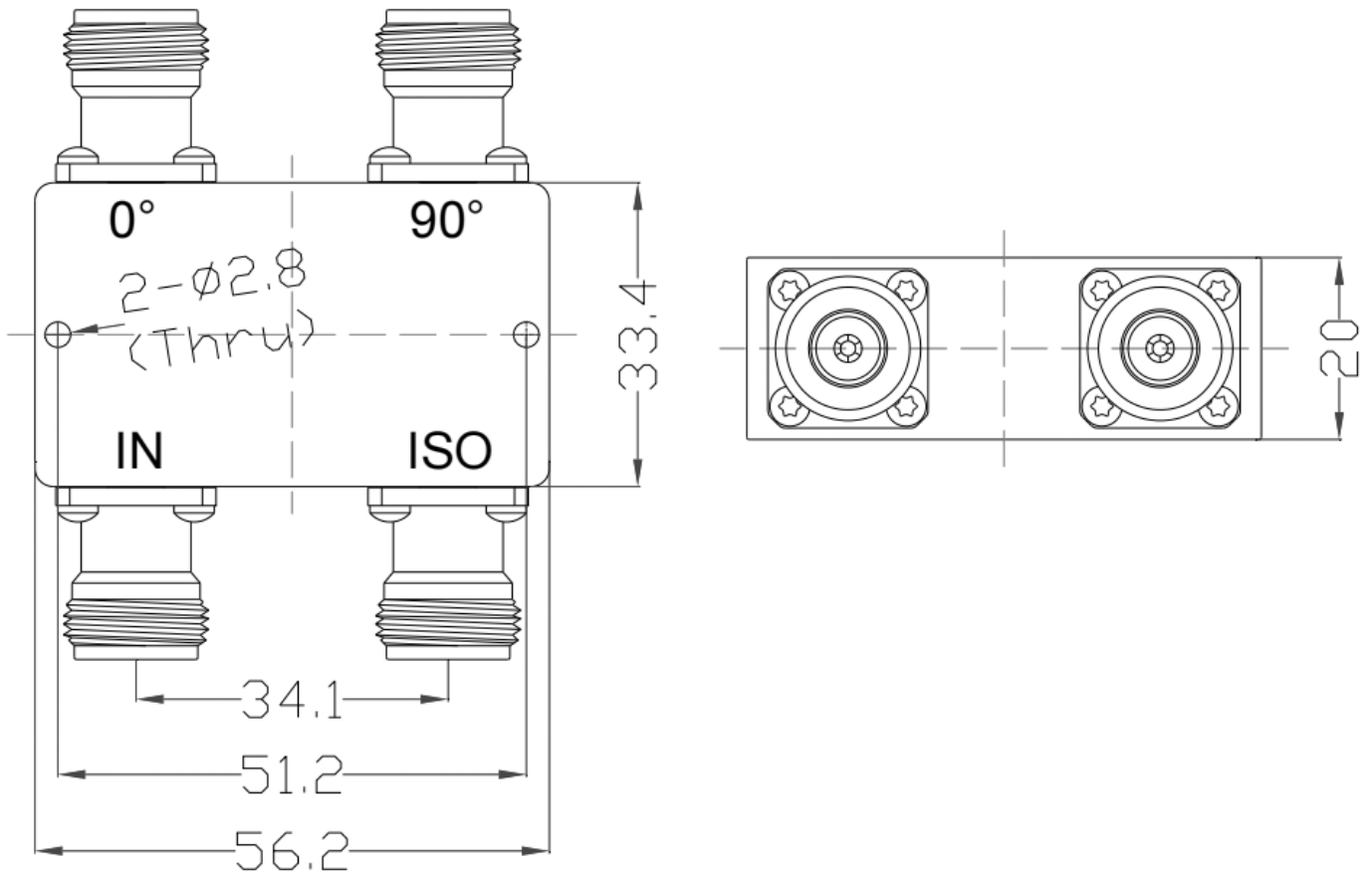


## N 90 Degree Bridge, RDCBA2F4N-5 2-4GHz, 100W

### Dimensions(mm) Tolerance $\pm 1\%$



### Electrical & Environmental

Frequency Range	2-4GHz	Impedance	50 Ohm
VSWR Primary	1.3 Max		
VSWR Secondary	Max		
Insertion Loss	0.6dB Max		
Phase Balance	$\pm 5^\circ$		
Input Avg Power	100 Watts max @25°C (Derate linearly to 10 Watt at 100°C)		
Operating Temp	-40°C~+80°C		

### Mechanical & Product Information

Product Number	RDCBA2F4N-5	Product Type	90 Degree Bridge
Connector	N Female	Connector Body	Passivated stainless steel
Center Contact	Gold plated beryllium copper		
Housing	Light blue paint		
Dimensions	56.2×33.4×20mm	Net Weight	About 176.0g



Microwave and Millimeter wave products  
supplier

RFTOP® Technology Co., Ltd.  
[www.rftop.com](http://www.rftop.com) [service@rftop.com](mailto:service@rftop.com) 86-755-88840350