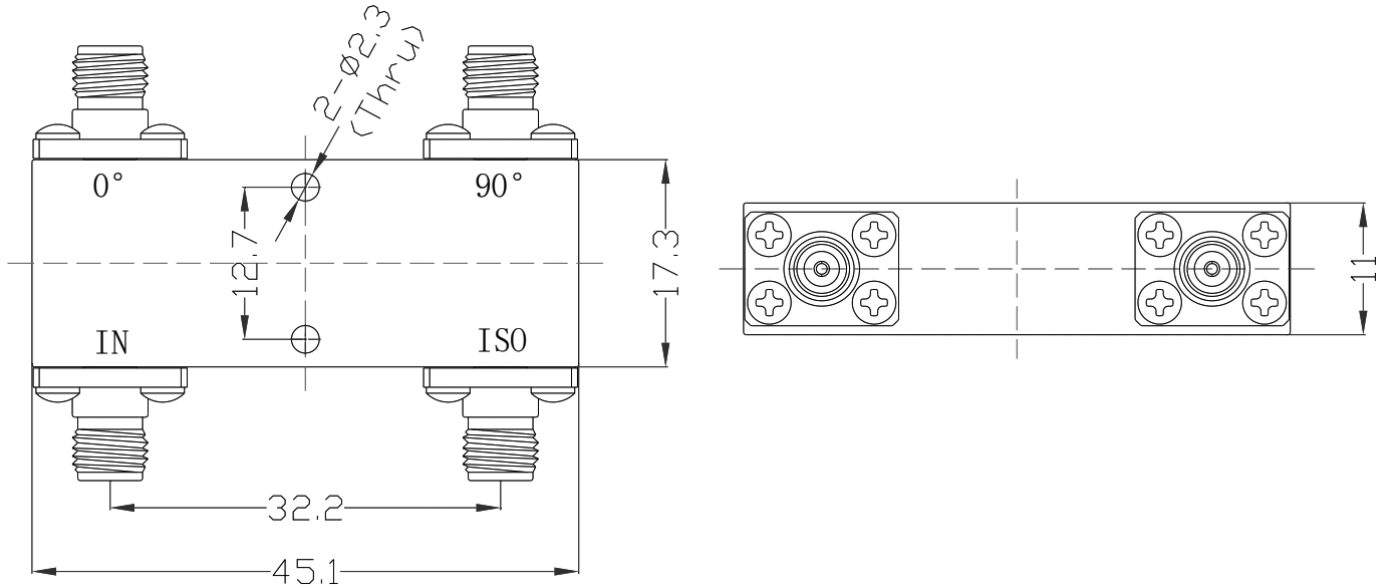


## 2.92mm Degree Bridge, RDCBA2F40K-12 2-40GHz, 10W

### Dimensions(mm) Tolerance $\pm 1\%$



### Electrical & Environmental

<b>Frequency Range</b>	2-40GHz	<b>Impedance</b>	50 Ohm
<b>VSWR Primary</b>	1.6 Max		
<b>VSWR Secondary</b>	Max		
<b>Insertion Loss</b>	2.5dB Max		
<b>Phase Balance</b>	$\pm 12^\circ$		
<b>Input Avg Power</b>	10 Watts max @25°C (Derate linearly to 1 Watt at 100°C)		
<b>Operating Temp</b>	-40°C~+80°C		

### Mechanical & Product Information

<b>Product Number</b>	RDCBA2F40K-12	<b>Product Type</b>	Degree Bridge
<b>Connector</b>	2.92mm Female	<b>Connector Body</b>	Passivated stainless steel
<b>Center Contact</b>	Gold plated beryllium copper		
<b>Housing</b>	Light blue paint		
<b>Dimensions</b>	45.1×17.3×11mm	<b>Net Weight</b>	-