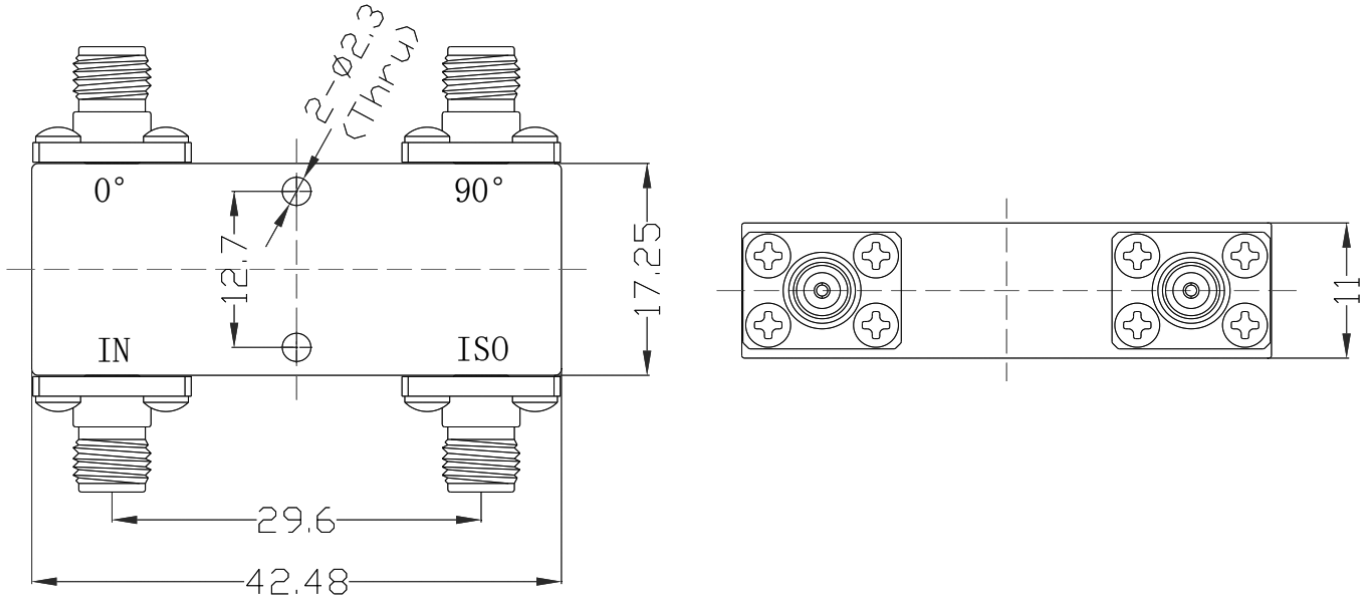


2.92mm Degree Bridge, RDCBA2F2605K-8 2-26.5GHz, 20W

Dimensions(mm) Tolerance $\pm 1\%$



Electrical & Environmental

Frequency Range	2-26.5GHz	Impedance	50 Ohm
VSWR Primary	1.5 Max		
VSWR Secondary	Max		
Insertion Loss	1.7dB Max		
Phase Balance	$\pm 8^\circ$		
Input Avg Power	20 Watts max @25°C (Derate linearly to 2 Watt at 100°C)		
Operating Temp	-40°C~+80°C		

Mechanical & Product Information

Product Number	RDCBA2F2605K-8	Product Type	Degree Bridge
Connector	2.92mm Female	Connector Body	Passivated stainless steel
Center Contact	Gold plated beryllium copper		
Housing	Light blue paint		
Dimensions	42.48×17.25×11mm	Net Weight	About 35.0g