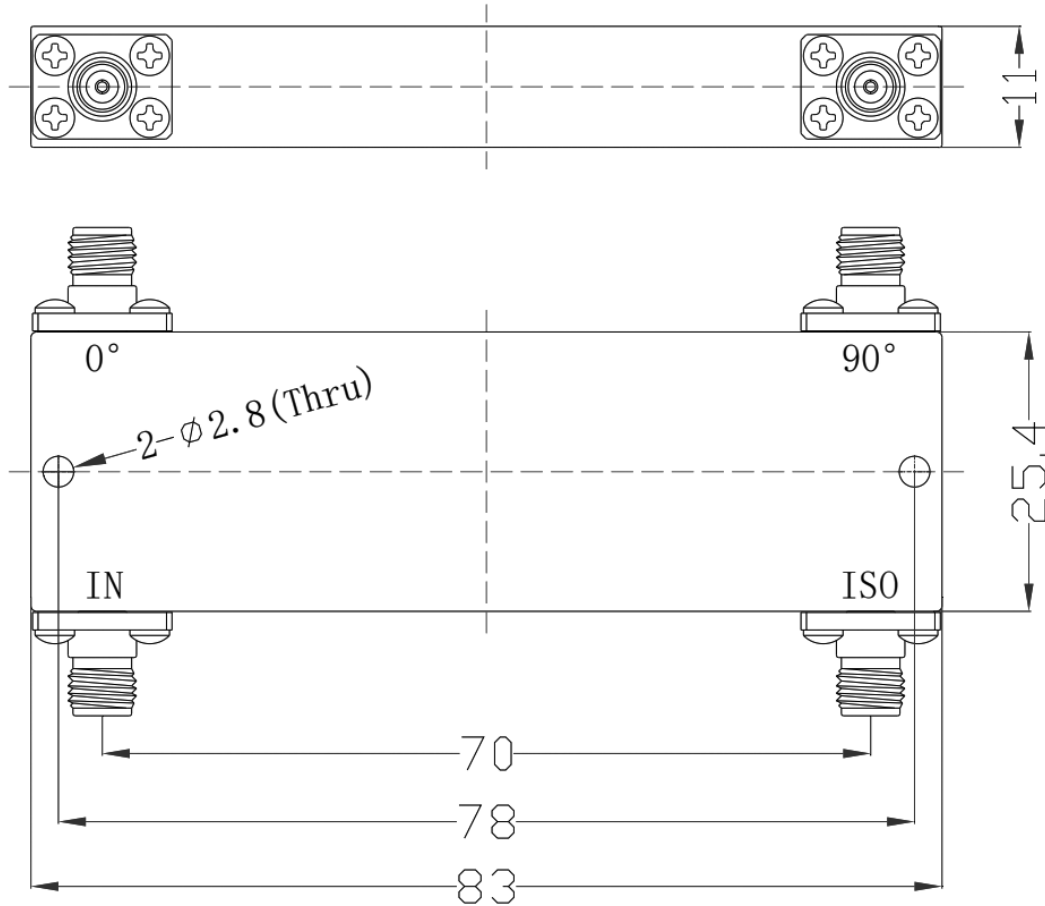


SMA Degree Bridge, RDCBA1F6S-5 1-6GHz, 50W

Dimensions(mm) Tolerance $\pm 1\%$



Electrical & Environmental

Frequency Range	1-6GHz	Impedance	50 Ohm
VSWR Primary	1.25 Max		
VSWR Secondary	Max		
Insertion Loss	0.7dB Max		
Phase Balance	$\pm 5^\circ$		
Input Avg Power	50 Watts max @25°C (Derate linearly to 5 Watt at 100°C)		
Operating Temp	-55°C~+85°C		

Mechanical & Product Information

Product Number	RDCBA1F6S-5	Product Type	Degree Bridge
Connector	SMA Female	Connector Body	Passivated stainless steel
Center Contact	Gold plated beryllium copper		
Housing	Light blue paint		
Dimensions	83×25.4×11mm	Net Weight	About 150.0g



Microwave and Millimeter wave products
supplier

RFTOP® Technology Co., Ltd.
www.rftop.com service@rftop.com 86-755-88840350