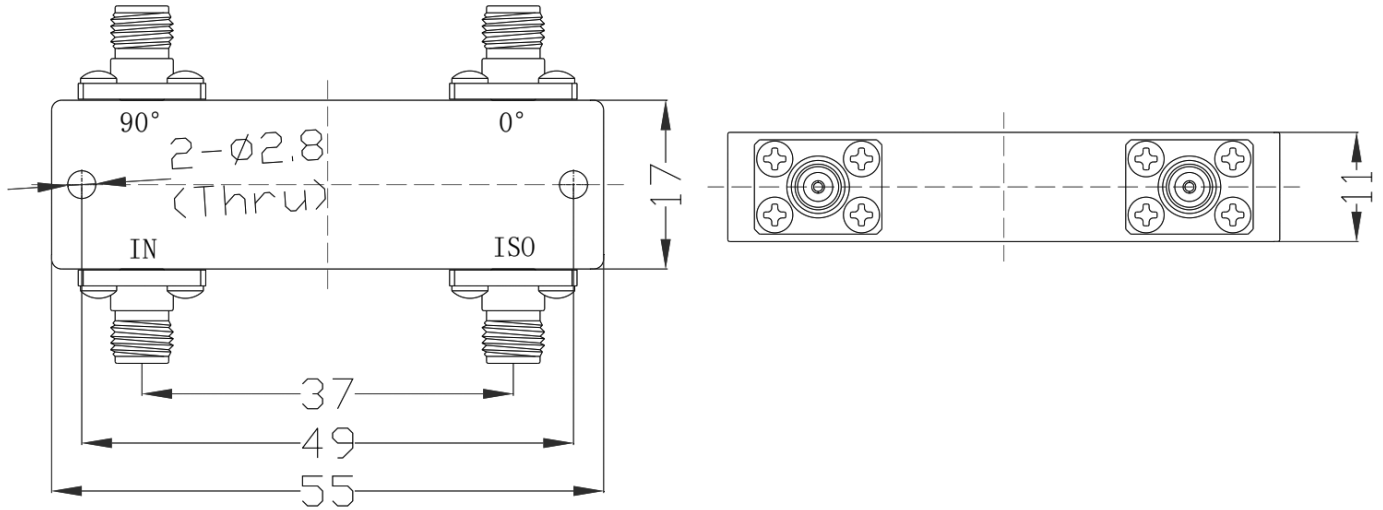


SMA Degree Bridge, RDCBA1F103S-5 1-1.3GHz, 50W

Dimensions(mm) Tolerance $\pm 1\%$



Electrical & Environmental

Frequency Range	1-1.3GHz	Impedance	50 Ohm
VSWR Primary	1.2 Max		
VSWR Secondary	Max		
Insertion Loss	0.5dB Max		
Phase Balance	$\pm 5^\circ$		
Input Avg Power	50 Watts max @25°C (Derate linearly to 5 Watt at 100°C)		
Operating Temp	-40°C~+80°C		

Mechanical & Product Information

Product Number	RDCBA1F103S-5	Product Type	Degree Bridge
Connector	SMA Female	Connector Body	Passivated stainless steel
Center Contact	Gold plated beryllium copper		
Housing	Light blue paint		
Dimensions	55×17×11mm	Net Weight	About 30.0g