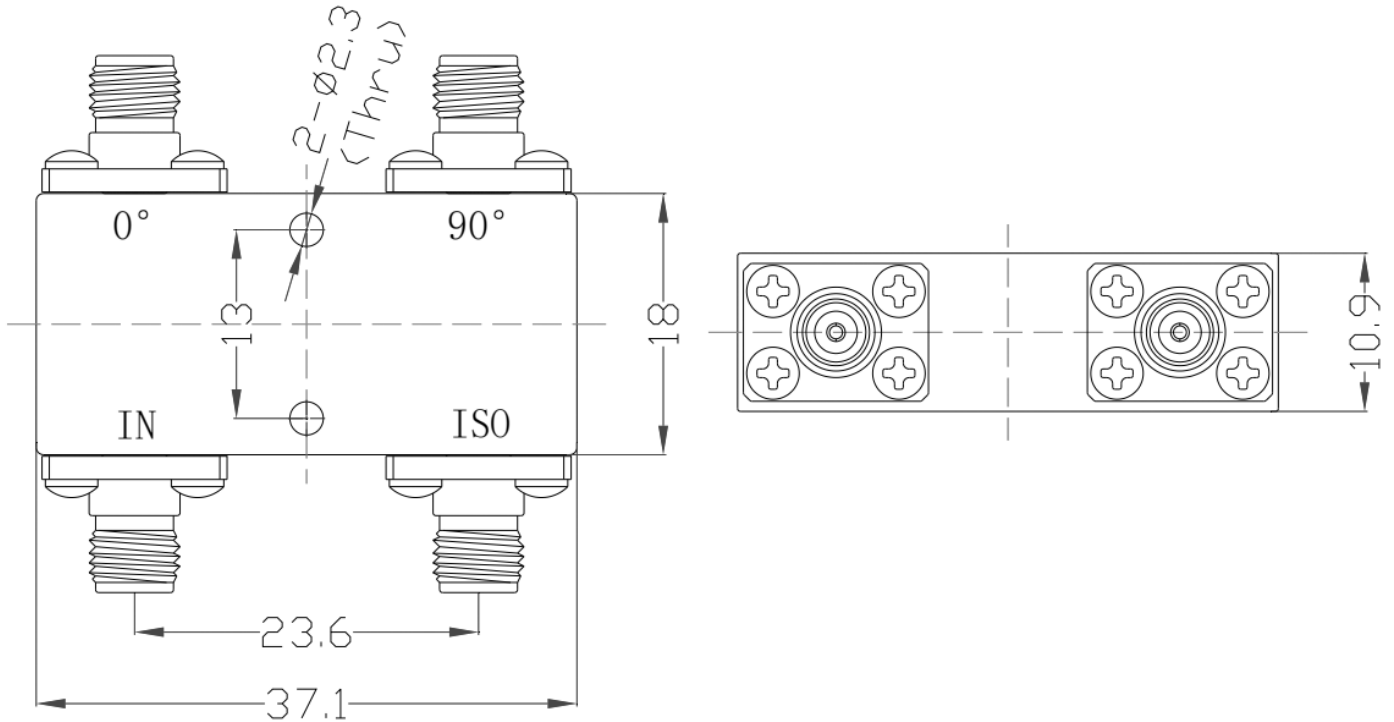


2.92mm Degree Bridge, RDCBA17F28K-10 17-28GHz, 10W

Dimensions(mm) Tolerance $\pm 1\%$



Electrical & Environmental

Frequency Range	17-28GHz	Impedance	50 Ohm
VSWR Primary	1.6 Max		
VSWR Secondary	Max		
Insertion Loss	2.2dB Max		
Phase Balance	$\pm 10^\circ$		
Input Avg Power	10 Watts max @25°C (Derate linearly to 1 Watt at 100°C)		
Operating Temp	-40°C~+80°C		

Mechanical & Product Information

Product Number	RDCBA17F28K-10	Product Type	Degree Bridge
Connector	2.92mm Female	Connector Body	Passivated stainless steel
Center Contact	Gold plated beryllium copper		
Housing	Light blue paint		
Dimensions	37.1×18×10.9mm	Net Weight	About 30.0g