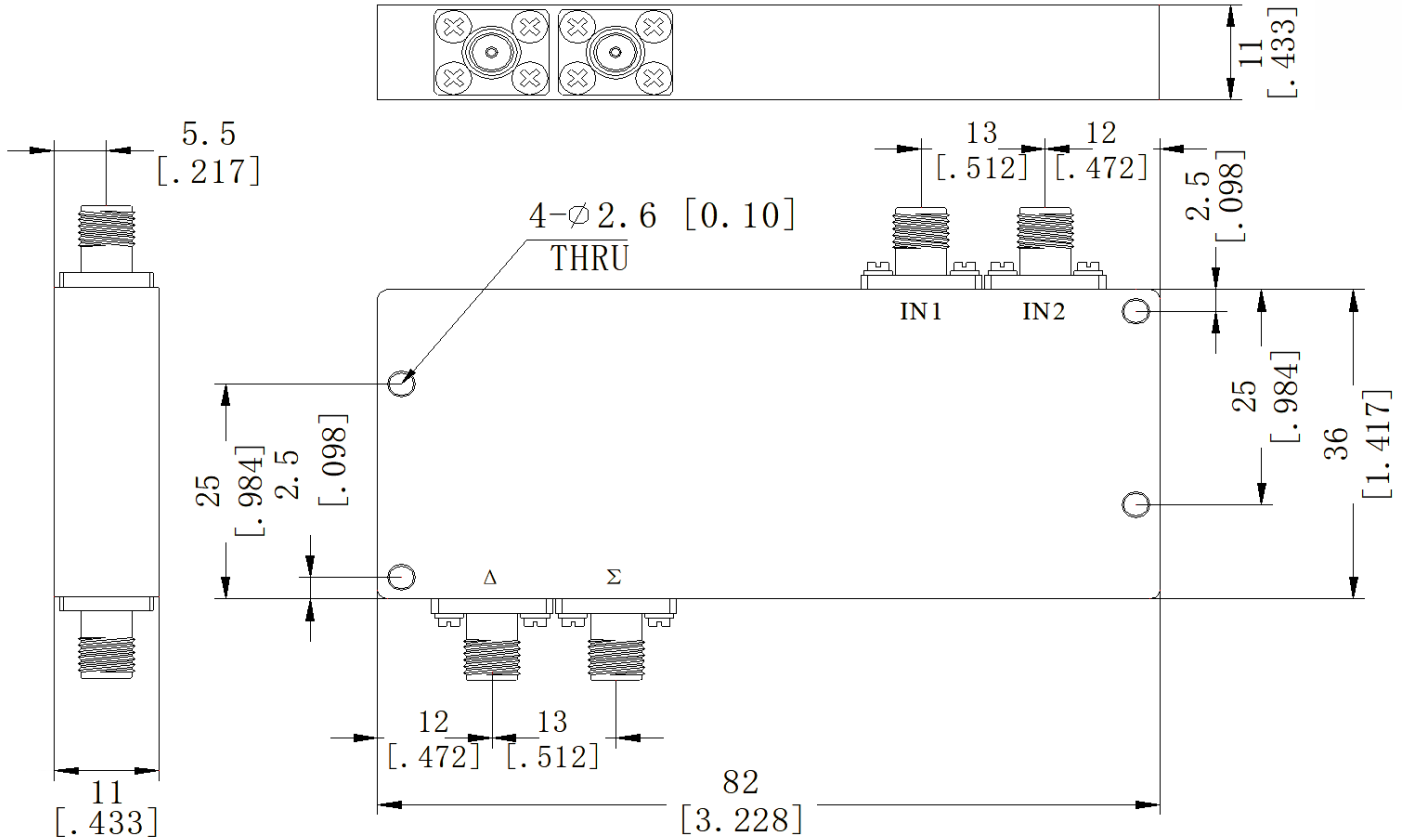


SMA 180 Degree Bridge, RDCB2F8S-11 2-8GHz, 30W

Dimensions(mm) Tolerance±1%



Electrical & Environmental

Frequency Range	2-8GHz	Impedance	50 Ohm
VSWR Primary	1.7 Max		
VSWR Secondary	1.7 Max		
Insertion Loss	1.6dB Max		
Directivity	15dB Min		
Frequency Sensitivity	±1.0dB		
Phase Balance	±11°		
Input Avg Power	30 Watts max @25°C (Derate linearly to 3 Watt at 100°C)		
Operating Temp	-45°C~+85°C		

Mechanical & Product Information

Product Number	RDCB2F8S-11	Product Type	180 Degree Bridge
Connector	SMA Female	Connector Body	Passivated stainless steel
Center Contact	Gold plated beryllium copper		
Housing	Light blue paint		
Dimensions	82×36×11mm	Net Weight	-



Microwave and Millimeter wave products
supplier

RFTOP® Technology Co., Ltd.
www.rftop.com service@rftop.com 86-755-88840350