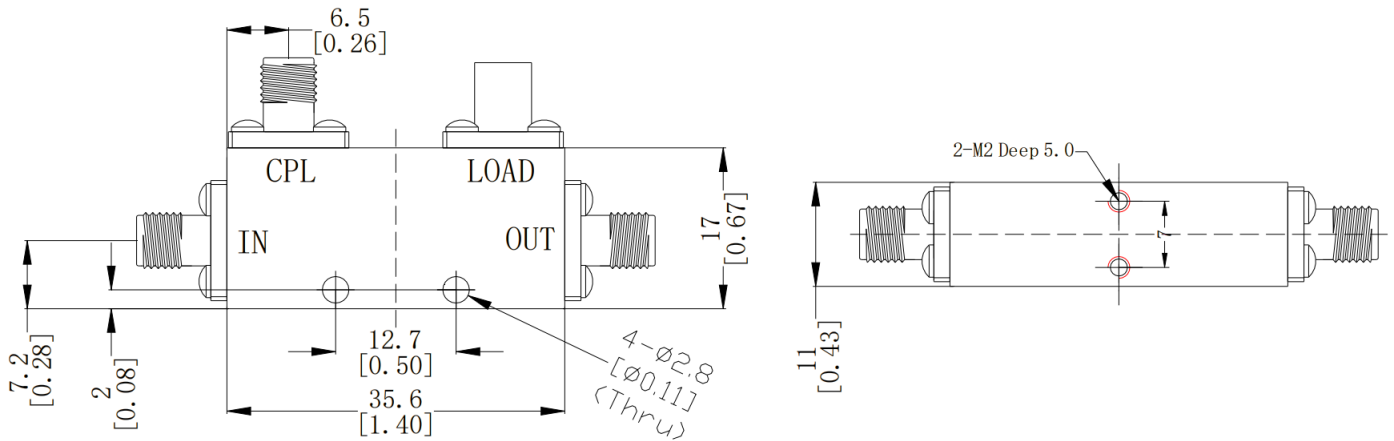


## SMA Directional Coupler, RDC705F16S-20

### 7.5-16GHz, Coupling 20dB, 20W

#### Dimensions(mm) Tolerance±1%



#### Electrical & Environmental

<b>Frequency Range</b>	7.5-16GHz	<b>Impedance</b>	50 Ohm
<b>VSWR Primary</b>	1.5 Max		
<b>VSWR Secondary</b>	Max		
<b>Insertion Loss</b>	0.7dB Max (Excluding coupled power)		
<b>Directivity</b>	12dB Min		
<b>Frequency Sensitivity</b>	±0.6dB		
<b>Nominal Coupling</b>	20±0.8dB		
<b>Input Avg Power</b>	20 Watts max @25°C (Derate linearly to 2 Watt at 100°C)		
<b>Operating Temp</b>	-55°C~+85°C		

#### Mechanical & Product Information

<b>Product Number</b>	RDC705F16S-20	<b>Product Type</b>	Directional Coupler
<b>Connector</b>	SMA Female	<b>Connector Body</b>	Passivated stainless steel
<b>Center Contact</b>	Gold plated beryllium copper		
<b>Housing</b>	Light blue paint		
<b>Dimensions</b>	35.6×17×11mm	<b>Net Weight</b>	About 30.0g