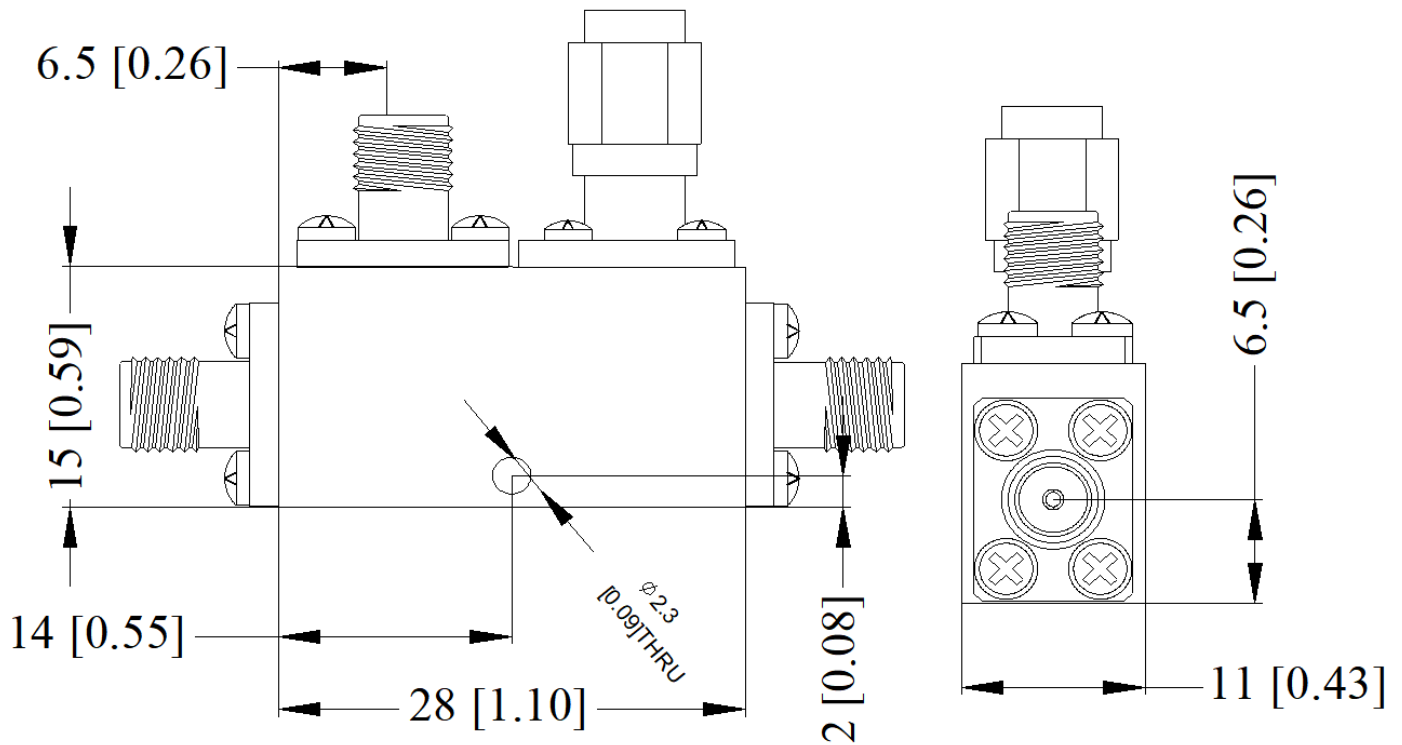


2.92mm Directional Coupler, RDC6F40K-30

6-40GHz, Coupling 30dB, 30W

Dimensions(mm) Tolerance \pm 1%



Electrical & Environmental

Frequency Range	6-40GHz	Impedance	50 Ohm
VSWR Primary	1.8 Max (Typ.1.5)		
VSWR Secondary	1.8 Max (Typ.1.5)		
Insertion Loss	1.2dB Max		
Directivity	10dB Min		
Frequency Sensitivity	\pm 1.2dB		
Nominal Coupling	30 \pm 1.9dB		
Input Avg Power	30 Watts max @25°C (Derate linearly to 3 Watt at 100°C)		
Operating Temp	-45°C~85°C		

Mechanical & Product Information

Product Number	RDC6F40K-30	Product Type	Directional Coupler
Connector	2.92mm Female	Connector Body	Passivated stainless steel
Center Contact	Gold plated beryllium copper		
Housing	Light blue paint		
Dimensions	28×15×11mm	Net Weight	-



Microwave and Millimeter wave products
supplier

RFTOP® Technology Co., Ltd.
www.rftop.com service@rftop.com 86-755-88840350