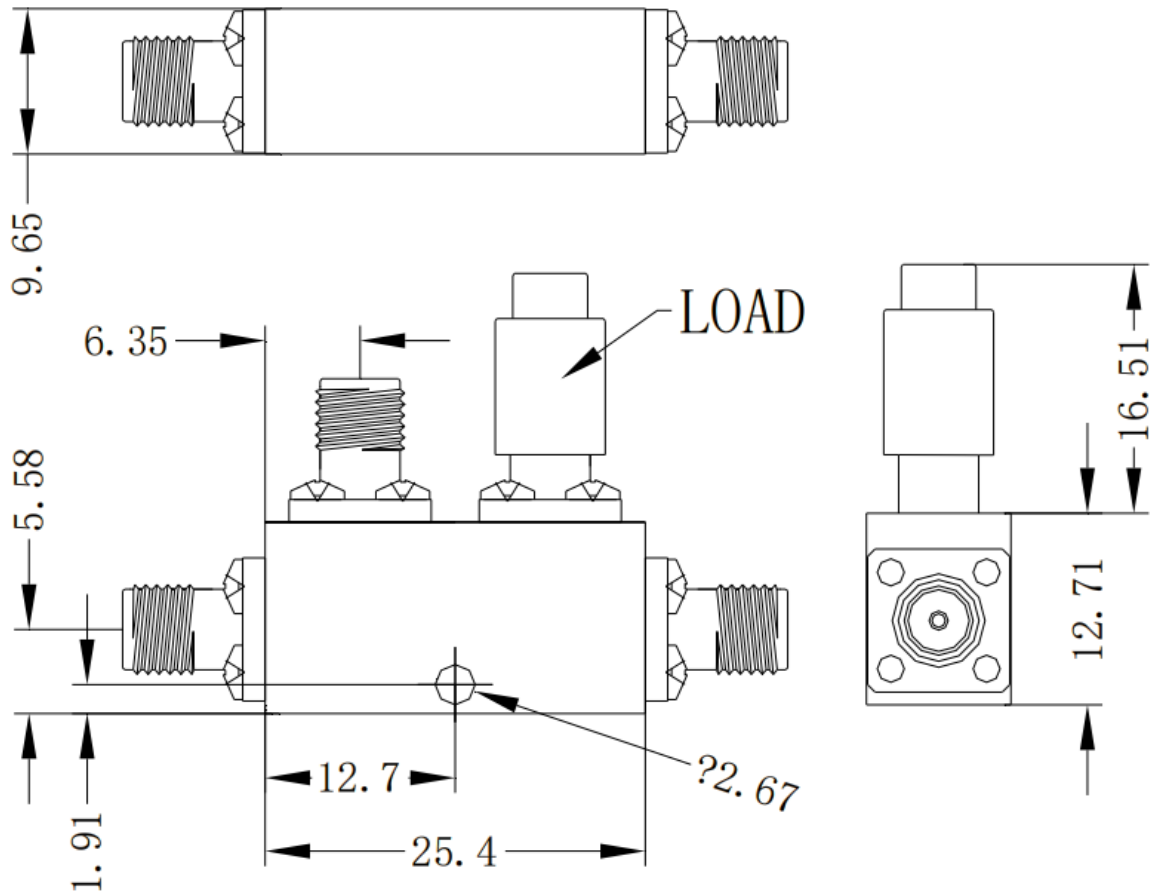


## SMA Directional Coupler, RDC6F18S-6 2-18GHz, Coupling 6dB, 5W

### Dimensions(mm) Tolerance $\pm 1\%$



### Electrical & Environmental

<b>Frequency Range</b>	2-18GHz	<b>Impedance</b>	50 Ohm
<b>VSWR Primary</b>	1.6 Max		
<b>VSWR Secondary</b>	Max		
<b>Insertion Loss</b>	2.2dB Max		
<b>Directivity</b>	10dB Min		
<b>Nominal Coupling</b>	6 $\pm$ 1.0dB		
<b>Input Avg Power</b>	5 Watts max @25°C (Derate linearly to 0.5 Watt at 100°C)		

### Mechanical & Product Information

<b>Product Number</b>	RDC6F18S-6	<b>Product Type</b>	Directional Coupler
<b>Connector</b>	SMA Female	<b>Connector Body</b>	Passivated stainless steel
<b>Center Contact</b>	Gold plated beryllium copper		
<b>Housing</b>	Light blue paint		
<b>Dimensions</b>	25.4 $\times$ 12.71 $\times$ 9.65mm	<b>Net Weight</b>	-



Microwave and Millimeter wave products  
supplier

RFTOP® Technology Co., Ltd.  
[www.rftop.com](http://www.rftop.com) [service@rftop.com](mailto:service@rftop.com) 86-755-88840350