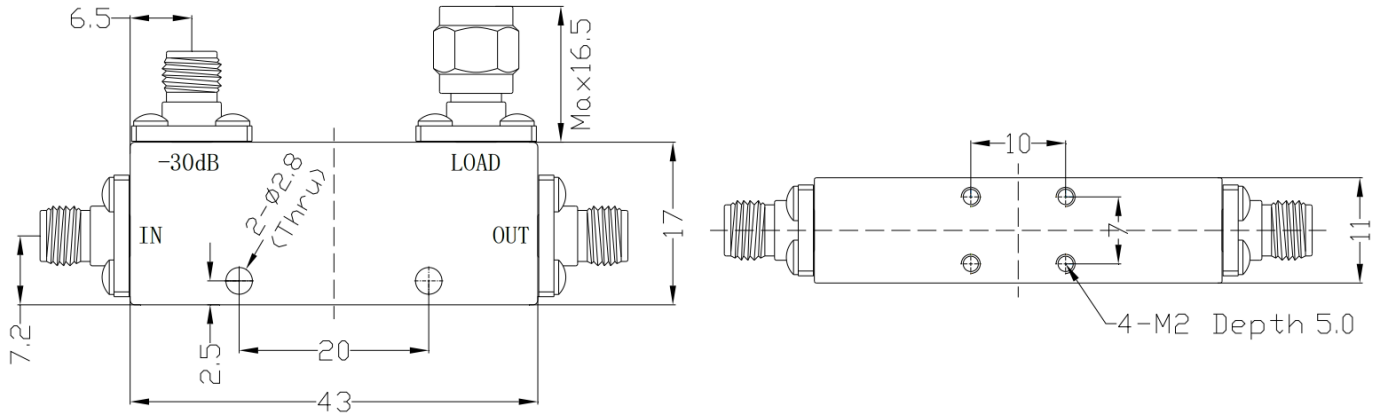


SMA Directional Coupler, RDC5F6S-30 5-6GHz, Coupling 30dB, 50W

Dimensions(mm) Tolerance $\pm 1\%$



Electrical & Environmental

Frequency Range	5-6GHz	Impedance	50 Ohm
VSWR Primary	1.25 Max		
VSWR Secondary	Max		
Insertion Loss	0.4dB Max (Excluding Coupling Loss 0.01dB)		
Directivity	18dB Min		
Frequency Sensitivity	± 0.6 dB		
Nominal Coupling	30 ± 1.0 dB		
Input Avg Power	50 Watts max @25°C (Derate linearly to 5 Watt at 100°C) Reflected: 30W Max.		
Operating Temp	-40°C~+80°C		

Mechanical & Product Information

Product Number	RDC5F6S-30	Product Type	Directional Coupler
Connector	SMA Female	Connector Body	Passivated stainless steel
Center Contact	Gold plated beryllium copper		
Housing	Light blue paint		
Dimensions	40 \times 17 \times 11mm	Net Weight	About 30.0g