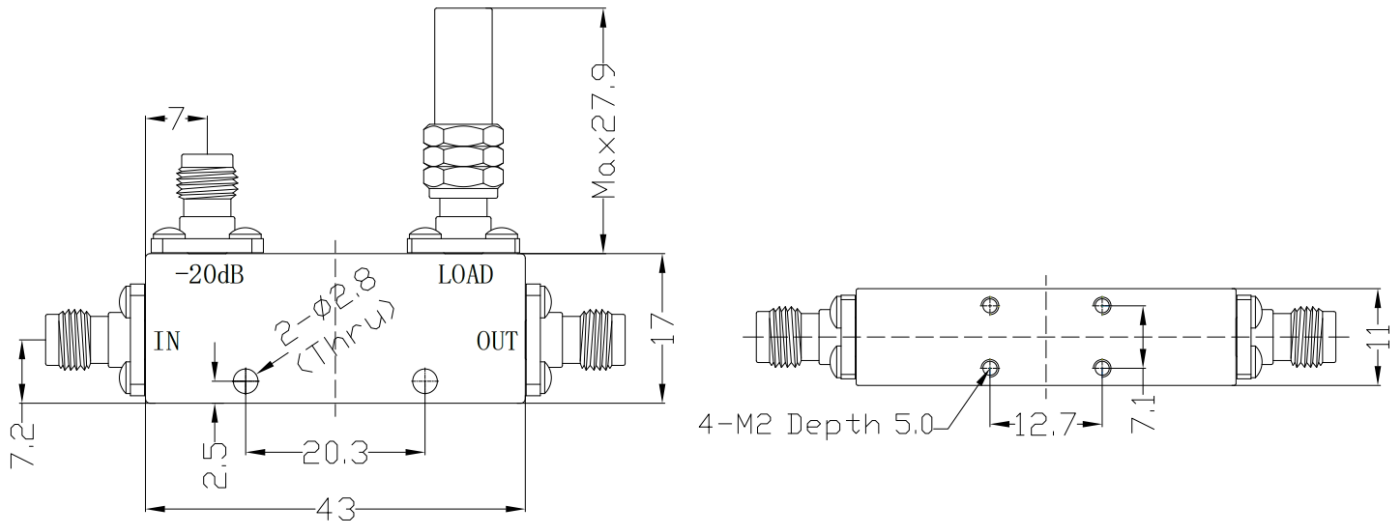


1.85mm Directional Coupler, RDC2F70V-20 2-70GHz, Coupling 20dB, 5W

Dimensions(mm) Tolerance $\pm 1\%$



Electrical & Environmental

Frequency Range	2-70GHz	Impedance	50 Ohm
VSWR Primary	2 Max		
VSWR Secondary	2.2 Max		
Insertion Loss	3.5dB Max (Excluding Coupling Loss 0.04dB)		
Directivity	6dB Min		
Frequency Sensitivity	± 1.5 dB		
Nominal Coupling	20 ± 1.2 dB		
Input Avg Power	5 Watts max @25°C (Derate linearly to 0.5 Watt at 100°C) Reflected: 0.5W Max.		
Operating Temp	-10°C~+60°C		

Mechanical & Product Information

Product Number	RDC2F70V-20	Product Type	Directional Coupler
Connector	1.85mm Female	Connector Body	Passivated stainless steel
Center Contact	Gold plated beryllium copper		
Housing	Light blue paint		
Dimensions	43×17×11mm	Net Weight	About 30.0g