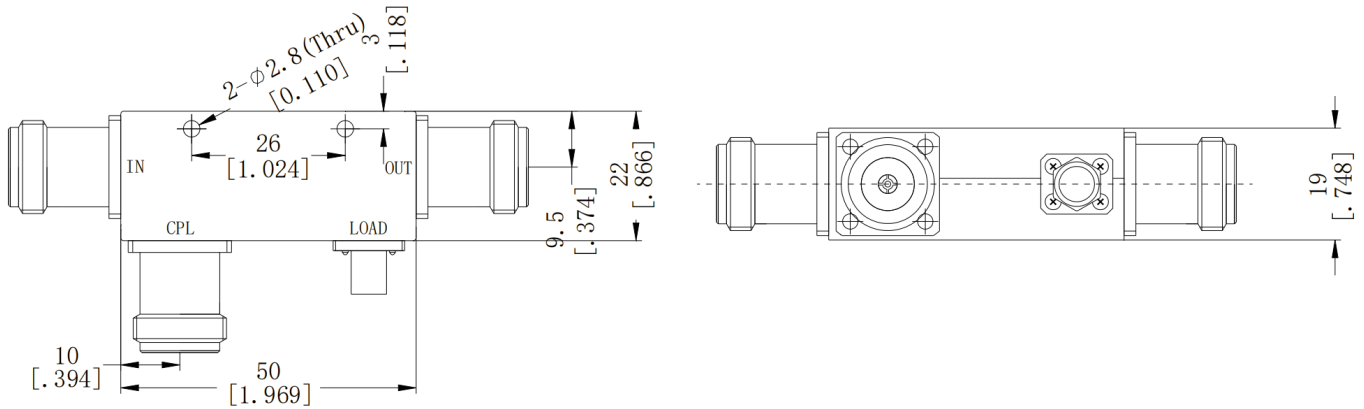


## N Directional Coupler, RDC2F6S-7 2-6GHz, Coupling 7dB, 10W

### Dimensions(mm) Tolerance±1%



### Electrical & Environmental

<b>Frequency Range</b>	2-6GHz	<b>Impedance</b>	50 Ohm
<b>VSWR Primary</b>	1.5 Max		
<b>VSWR Secondary</b>	Max		
<b>Insertion Loss</b>	2dB Max (Excluding coupled power)		
<b>Directivity</b>	15dB Min		
<b>Frequency Sensitivity</b>	±1.0dB		
<b>Nominal Coupling</b>	7±1.0dB		
<b>Input Avg Power</b>	10 Watts max @25°C (Derate linearly to 1 Watt at 100°C)		

### Mechanical & Product Information

<b>Product Number</b>	RDC2F6S-7	<b>Product Type</b>	Directional Coupler
<b>Connector</b>	N Female	<b>Connector Body</b>	Passivated stainless steel
<b>Center Contact</b>	Gold plated beryllium copper		
<b>Housing</b>	Sandblasting natural color conductive oxide		
<b>Dimensions</b>	50×22×19mm	<b>Net Weight</b>	About 110.0g