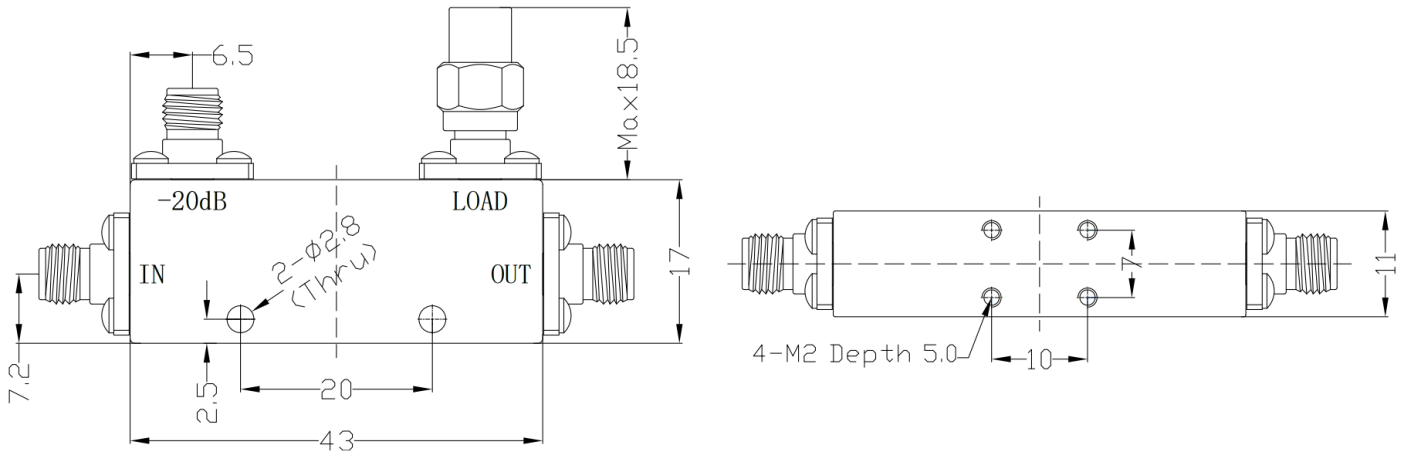


SMA Directional Coupler, RDC2F4S-20

2-4GHz, Coupling 20dB, 50W

Dimensions(mm) Tolerance±1%



Electrical & Environmental

Frequency Range	2-4GHz	Impedance	50 Ohm
VSWR Primary	1.15 Max		
VSWR Secondary	Max		
Insertion Loss	0.25dB Max (Excluding Coupling Loss 0.04dB)		
Directivity	22dB Min		
Frequency Sensitivity	±0.7dB		
Nominal Coupling	20±1.0dB		
Input Avg Power	50 Watts max @25°C (Derate linearly to 5 Watt at 100°C) Reflected: 2W Max.		
Operating Temp	-40°C~+85°C		

Mechanical & Product Information

Product Number	RDC2F4S-20	Product Type	Directional Coupler
Connector	SMA Female	Connector Body	Passivated stainless steel
Center Contact	Gold plated beryllium copper		
Housing	Light blue paint		
Dimensions	43×17×11mm	Net Weight	About 30.0g