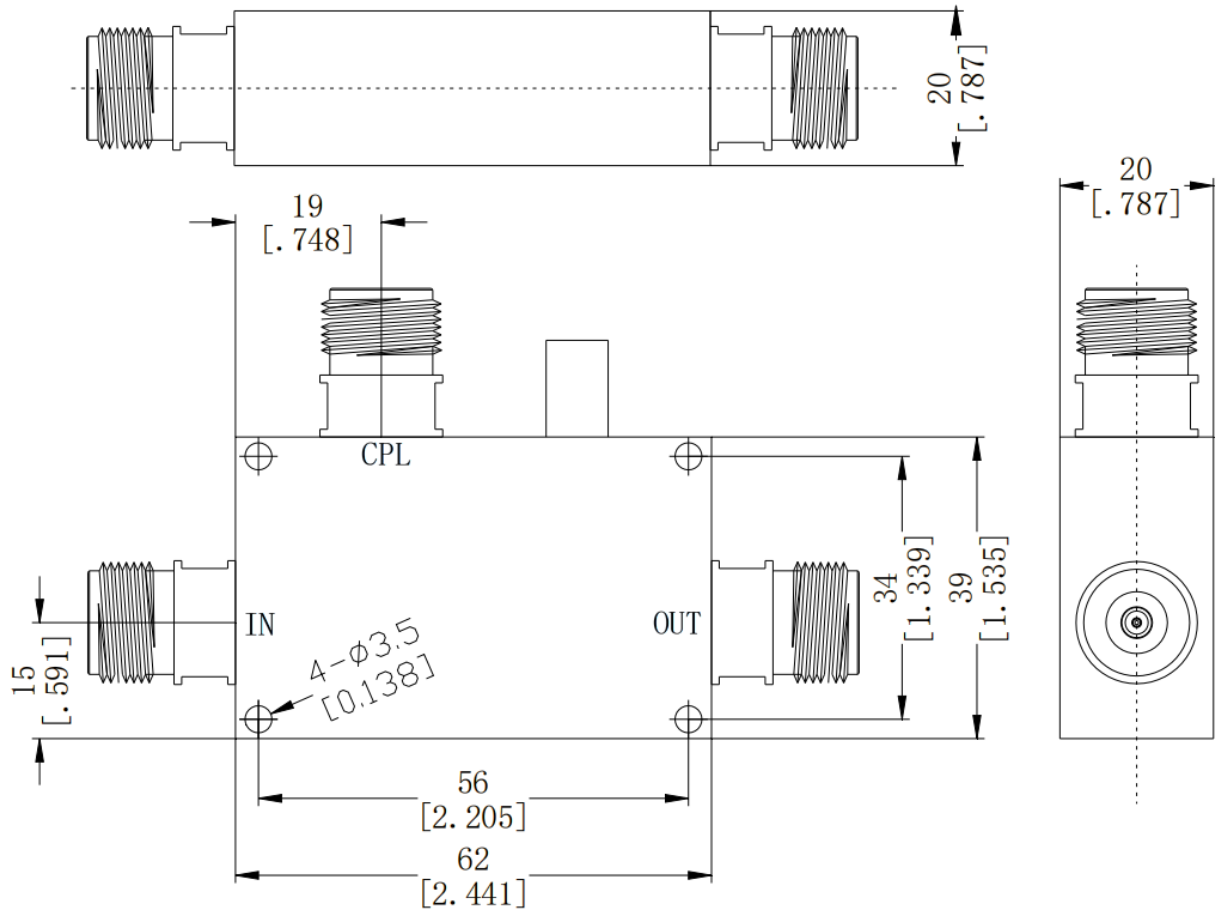


N Directional Coupler, RDC2F207N-30 2-2.7GHz, Coupling 30dB, 300W

Dimensions(mm) Tolerance±1%



Electrical & Environmental

| | | | |
|-------------------------|---|------------------|--------|
| Frequency Range | 2-2.7GHz | Impedance | 50 Ohm |
| VSWR Primary | 1.3 Max | | |
| VSWR Secondary | Max | | |
| Insertion Loss | 0.25dB Max (Excluding coupled power) | | |
| Directivity | 20dB Min | | |
| Nominal Coupling | 30±1.2dB | | |
| Input Avg Power | 300 Watts max @25°C (Derate linearly to 30 Watt at 100°C) | | |
| Operating Temp | -30°C~+70°C | | |

Mechanical & Product Information

| | | | |
|-----------------------|---|-----------------------|----------------------------|
| Product Number | RDC2F207N-30 | Product Type | Directional Coupler |
| Connector | N Female | Connector Body | Ternary alloy plated brass |
| Center Contact | Gold plated beryllium copper | | |
| Housing | Sandblasting natural color conductive oxide | | |
| Dimensions | 62×39×20mm | Net Weight | - |



Microwave and Millimeter wave products
supplier

RFTOP® Technology Co., Ltd.
www.rftop.com service@rftop.com 86-755-88840350