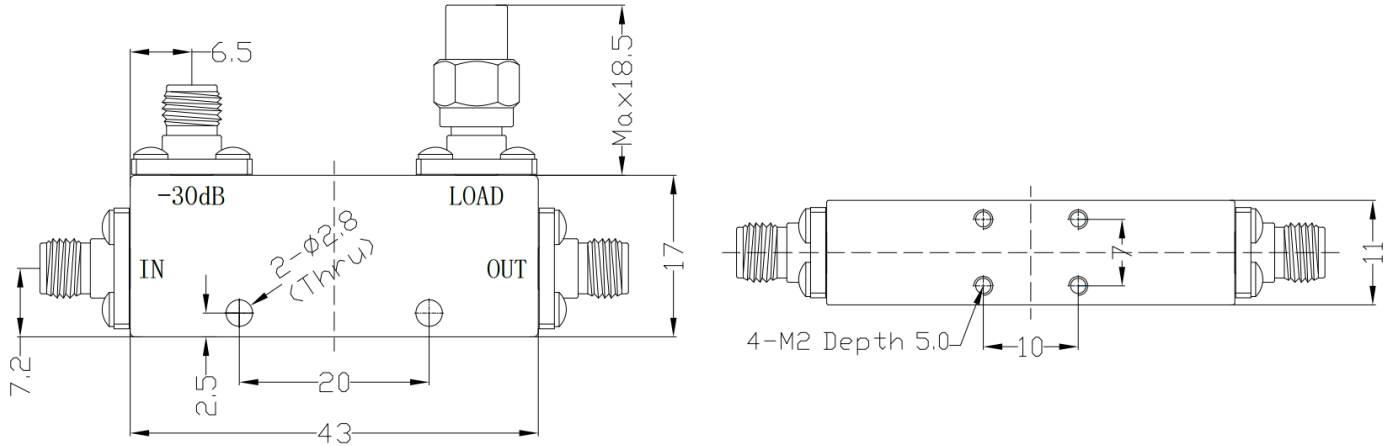


SMA Directional Coupler, RDC2F204S-30 2-2.4GHz, Coupling 30dB, 30W

Dimensions(mm) Tolerance $\pm 1\%$



Electrical & Environmental

Frequency Range	2-2.4GHz	Impedance	50 Ohm
VSWR Primary	1.2 Max		
VSWR Secondary	Max		
Insertion Loss	0.4dB Max (Excluding Coupling Loss 0.01dB)		
Directivity	18dB Min		
Frequency Sensitivity	± 0.7 dB		
Nominal Coupling	30 ± 1.0 dB		
Input Avg Power	30 Watts max @25°C (Derate linearly to 3 Watt at 100°C) Reflected: 2W Max.		
Operating Temp	-55°C~+65°C		

Mechanical & Product Information

Product Number	RDC2F204S-30	Product Type	Directional Coupler
Connector	SMA Female	Connector Body	Passivated stainless steel
Center Contact	Gold plated beryllium copper		
Housing	Sandblasting natural color conductive oxide		
Dimensions	43×17×11mm	Net Weight	About 35.0g