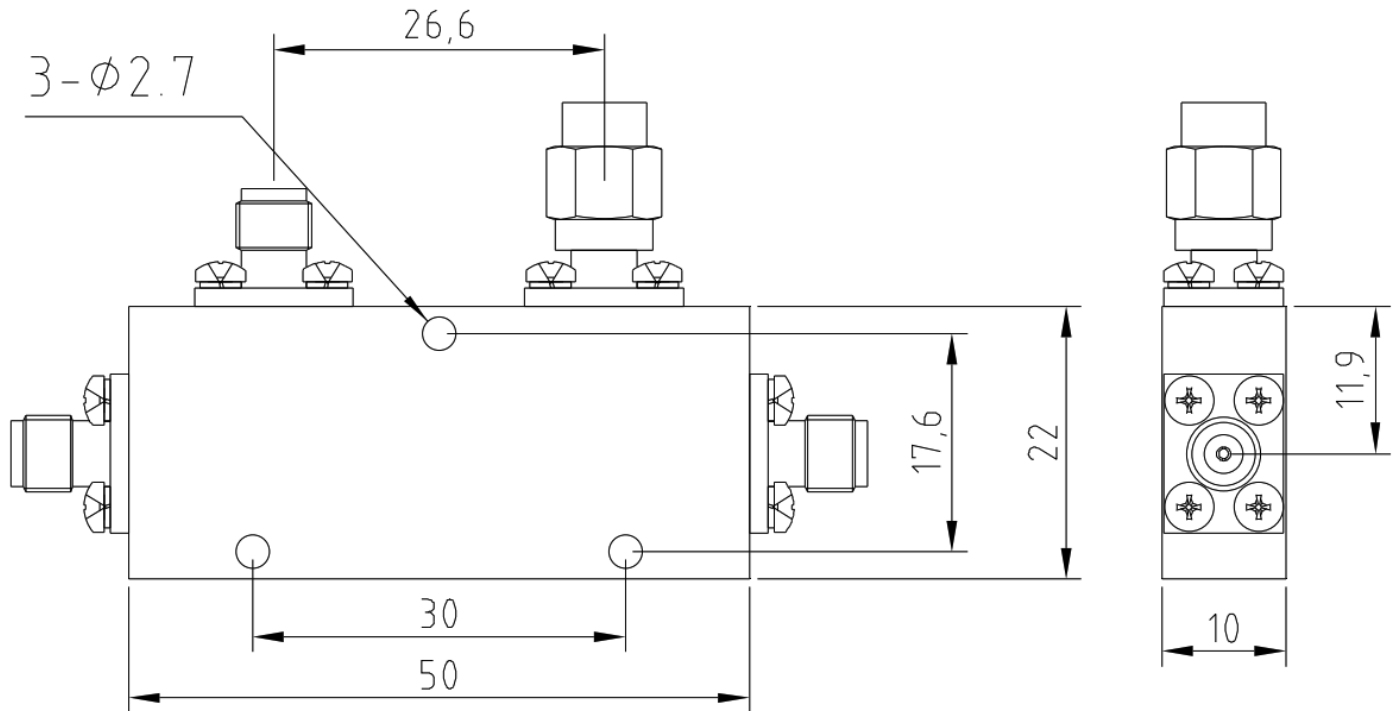


## SMA Directional Coupler, RDC2F10S-6 2-10GHz, Coupling 6dB, 20W

Dimensions(mm) Tolerance $\pm 1\%$



### Electrical & Environmental

<b>Frequency Range</b>	2-10GHz	<b>Impedance</b>	50 Ohm
<b>VSWR Primary</b>	1.6 Max		
<b>VSWR Secondary</b>	Max		
<b>Insertion Loss</b>	2.5dB Max		
<b>Directivity</b>	5dB Min		
<b>Nominal Coupling</b>	6 $\pm$ 1.5dB		
<b>Input Avg Power</b>	20 Watts max @25°C (Derate linearly to 2 Watt at 100°C)		

### Mechanical & Product Information

<b>Product Number</b>	RDC2F10S-6	<b>Product Type</b>	Directional Coupler
<b>Connector</b>	SMA Female	<b>Connector Body</b>	Passivated stainless steel
<b>Center Contact</b>	Gold plated beryllium copper		
<b>Housing</b>	Sandblasting natural color conductive oxide		
<b>Dimensions</b>	50 $\times$ 22 $\times$ 10mm	<b>Net Weight</b>	About 38.0g