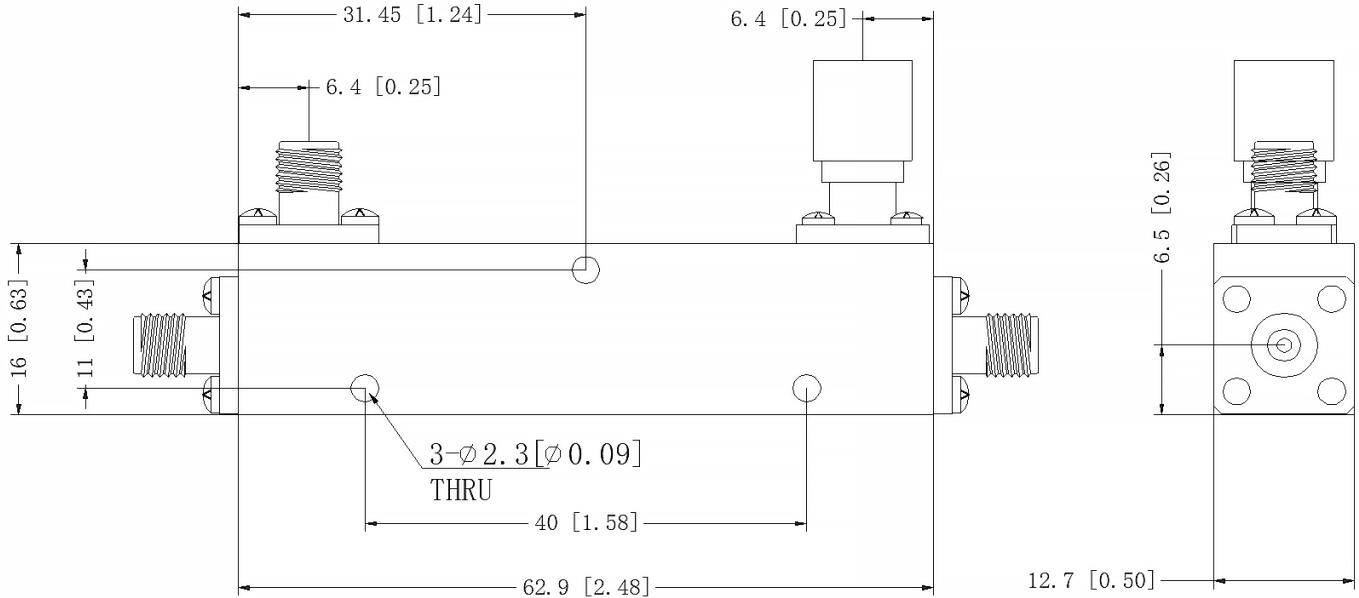


## 1.85mm Directional Coupler, RDC1F67V-10 1-67GHz, Coupling 10dB, 20W

### Dimensions(mm) Tolerance±1%



### Electrical & Environmental

<b>Frequency Range</b>	1-67GHz	<b>Impedance</b>	50 Ohm
<b>VSWR Primary</b>	1.9 Max		
<b>VSWR Secondary</b>	1.9 Max		
<b>Insertion Loss</b>	3.8dB Max (Excluding Coupling)		
<b>Directivity</b>	8dB Min		
<b>Frequency Sensitivity</b>	$\pm 2.0$ dB		
<b>Nominal Coupling</b>	10 $\pm$ 3.5dB		
<b>Input Avg Power</b>	20 Watts max @25°C (Derate linearly to 2 Watt at 100°C)		
<b>Operating Temp</b>	-45°C~85°C		

### Mechanical & Product Information

<b>Product Number</b>	RDC1F67V-10	<b>Product Type</b>	Directional Coupler
<b>Connector</b>	1.85mm Female	<b>Connector Body</b>	Passivated stainless steel
<b>Center Contact</b>	Gold plated beryllium copper		
<b>Housing</b>	Light blue paint		
<b>Dimensions</b>	62.9×16×12.7mm	<b>Net Weight</b>	-