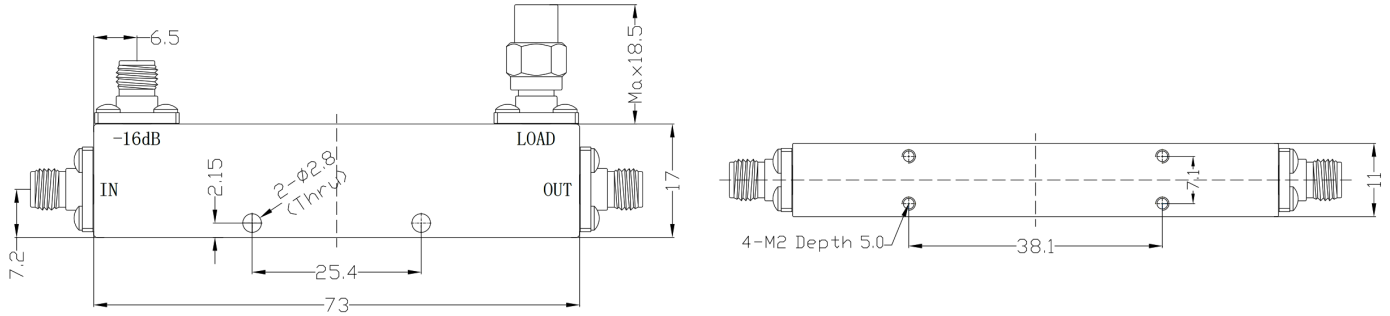


## 2.92mm Directional Coupler, RDC1F40K-16 1-40GHz, Coupling 16dB, 20W

### Dimensions(mm) Tolerance $\pm 1\%$



### Electrical & Environmental

<b>Frequency Range</b>	1-40GHz	<b>Impedance</b>	50 Ohm
<b>VSWR Primary</b>	1.7 Max		
<b>VSWR Secondary</b>	Max		
<b>Insertion Loss</b>	2.2dB Max (Excluding Coupling Loss 0.11dB)		
<b>Directivity</b>	10dB Min		
<b>Frequency Sensitivity</b>	$\pm 1.2$ dB		
<b>Nominal Coupling</b>	16 $\pm 1.0$ dB		
<b>Input Avg Power</b>	20 Watts max @25°C (Derate linearly to 2 Watt at 100°C) Reflected: 1W Max.		
<b>Operating Temp</b>	-40°C~+85°C		

### Mechanical & Product Information

<b>Product Number</b>	RDC1F40K-16	<b>Product Type</b>	Directional Coupler
<b>Connector</b>	2.92mm Female	<b>Connector Body</b>	Passivated stainless steel
<b>Center Contact</b>	Gold plated beryllium copper		
<b>Housing</b>	Light blue paint		
<b>Dimensions</b>	73 $\times$ 17 $\times$ 11mm	<b>Net Weight</b>	About 60.0g