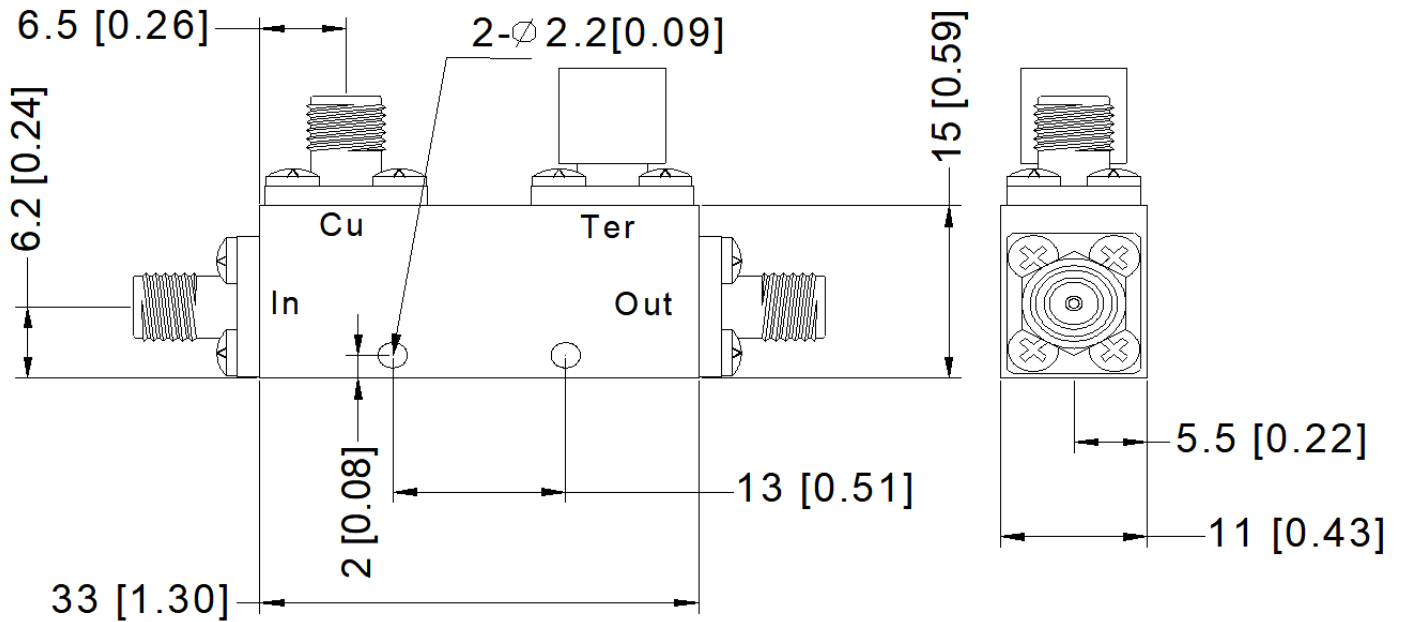


SMA Directional Coupler, RDC12F18S-6 12-18GHz, Coupling 6dB, 30W

Dimensions(mm) Tolerance±1%



Electrical & Environmental

Frequency Range	12-18GHz	Impedance	50 Ohm
VSWR Primary	1.5 Max		
VSWR Secondary	1.5 Max		
Insertion Loss	1.5dB Max		
Directivity	12dB Min		
Frequency Sensitivity	± 0.9 dB		
Nominal Coupling	6 ± 1.0 dB		
Input Avg Power	30 Watts max @25°C (Derate linearly to 3 Watt at 100°C)		
Operating Temp	-40°C~85°C		

Mechanical & Product Information

Product Number	RDC12F18S-6	Product Type	Directional Coupler
Connector	SMA Female	Connector Body	Passivated stainless steel
Center Contact	Gold plated beryllium copper		
Housing	Light blue paint		
Dimensions	33×15×11mm	Net Weight	-