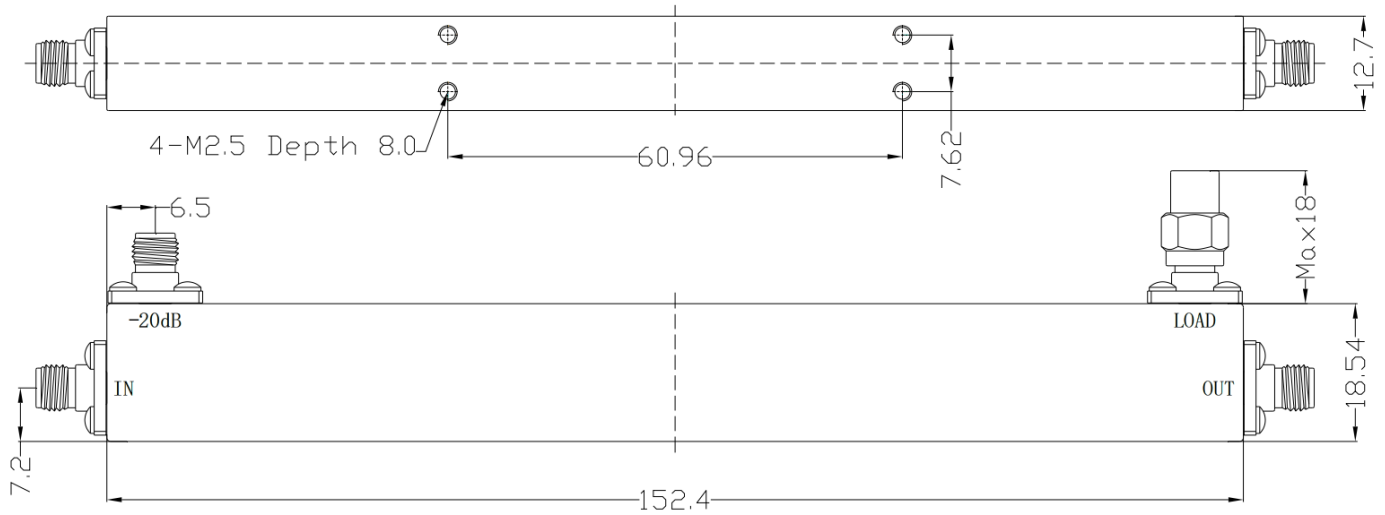


SMA Directional Coupler, RDC04F09S-20

0.4-0.9GHz, Coupling 20dB, 50W

Dimensions(mm) Tolerance $\pm 1\%$



Electrical & Environmental

Frequency Range	0.4-0.9GHz	Impedance	50 Ohm
VSWR Primary	1.25 Max		
VSWR Secondary	Max		
Insertion Loss	0.5dB Max (Excluding Coupling Loss 0.04dB)		
Directivity	20dB Min		
Frequency Sensitivity	± 1.0 dB		
Nominal Coupling	20 ± 1.0 dB		
Input Avg Power	50 Watts max @25°C (Derate linearly to 5 Watt at 100°C) Reflected: 10W Max.		
Operating Temp	-30°C~+70°C		

Mechanical & Product Information

Product Number	RDC04F09S-20	Product Type	Directional Coupler
Connector	SMA Female	Connector Body	Passivated stainless steel
Center Contact	Gold plated beryllium copper		
Housing	Light blue paint		
Dimensions	152.4×18.54×12.7mm	Net Weight	About 108.0g