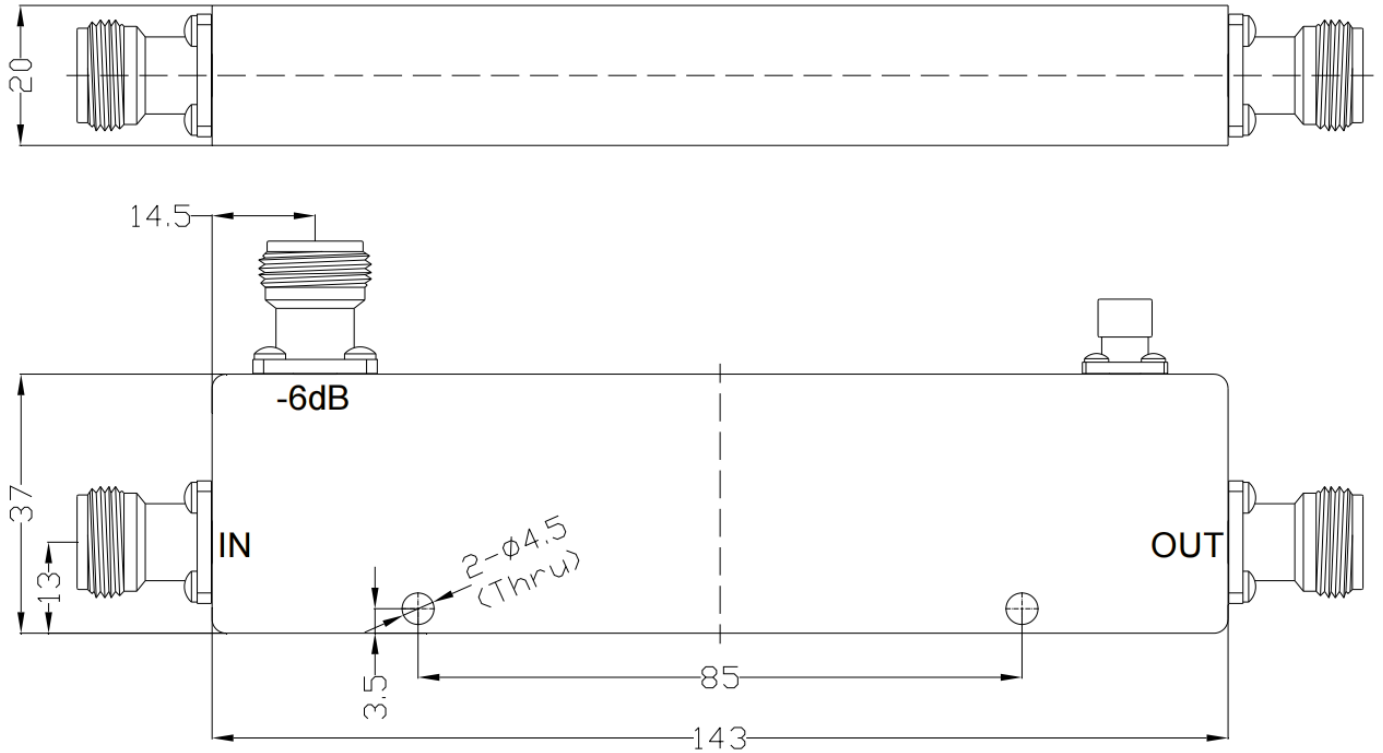


N Directional Coupler, RDC03F05N-6 300-500MHz, Coupling 6dB, 40W

Dimensions(mm) Tolerance $\pm 1\%$



Electrical & Environmental

Frequency Range	300-500MHz	Impedance	50 Ohm
VSWR Primary	1.2 Max		
VSWR Secondary	Max		
Insertion Loss	0.4dB Max (Excluding Coupling Loss 1.26dB)		
Directivity	22dB Min		
Frequency Sensitivity	± 1.0 dB		
Nominal Coupling	6 ± 1.0 dB		
Input Avg Power	40 Watts max @25°C (Derate linearly to 4 Watt at 100°C)		
Operating Temp	-30°C~+70°C		

Mechanical & Product Information

Product Number	RDC03F05N-6	Product Type	Directional Coupler
Connector	N Female	Connector Body	Ternary alloy plated brass
Center Contact	Gold plated beryllium copper		
Housing	Light blue paint		
Dimensions	143×37×20mm	Net Weight	About 340.0g



Microwave and Millimeter wave products
supplier

RFTOP® Technology Co., Ltd.
www.rftop.com service@rftop.com 86-755-88840350