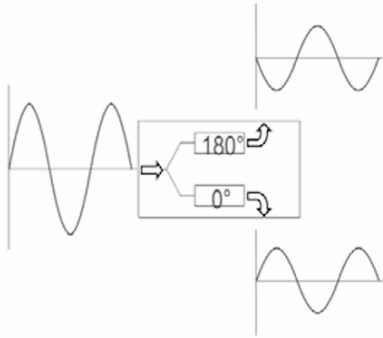
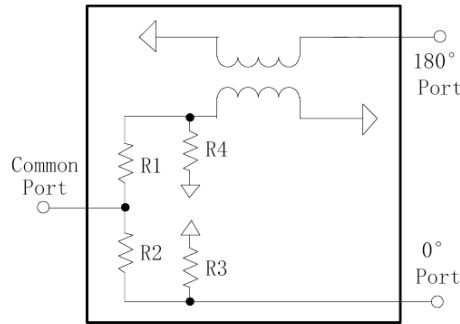


## 2.4mm Balun, RBLM10F50 10MHz-50GHz, 1W

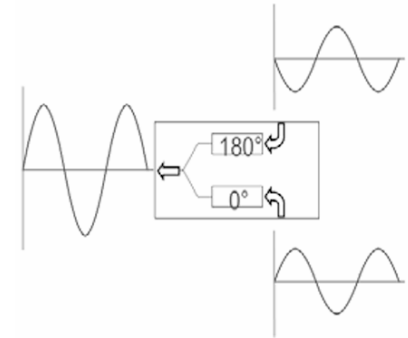
Dimensions(mm) Tolerance $\pm 1\%$



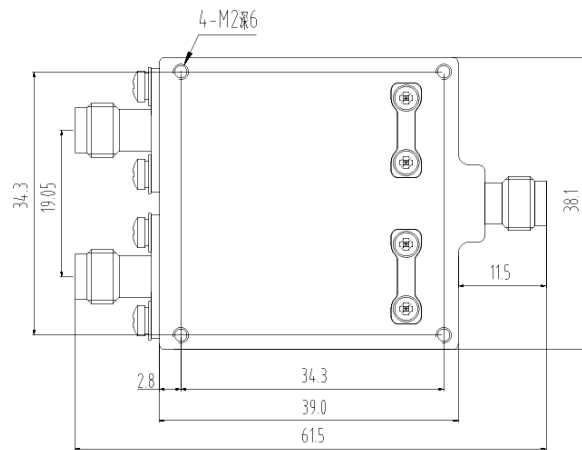
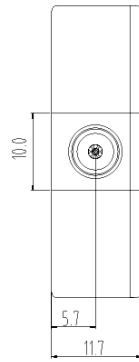
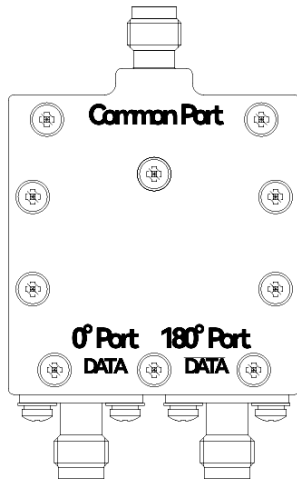
单端-差分信号变换



宽带巴伦原理框图



差分-单端信号变换



### Electrical & Environmental

Frequency Range	10MHz-50GHz	Impedance	50 Ohm
VSWR Primary	1.35 Max (Typ.1.25)		
VSWR Secondary	2.1 Max (Typ.1.7)		
Insertion Loss	10.4dB Max (Typ.8.9dB; Sds21:7.4dBmax,Typ.6.4dB)		
Phase Balance	$\pm 6^\circ$ (Typ. $\pm 4^\circ$ )		
Input Avg Power	1 Watts max @25°C		
Operating Temp	-40°C~+70°C		

### Mechanical & Product Information

Product Number	RBLM10F50	Product Type	Balun
Connector	2.4mm Female	Connector Body	Passivated stainless steel
Center Contact	Gold plated beryllium copper		
Housing	Grey paint		
Dimensions	39(L) $\times$ 38.1(W) $\times$ 11.7(H)mm	Net Weight	About 53.0g



Microwave and Millimeter wave products  
supplier

RFTOP® Technology Co., Ltd.  
[www.rftop.com](http://www.rftop.com) [service@rftop.com](mailto:service@rftop.com) 86-755-88840350