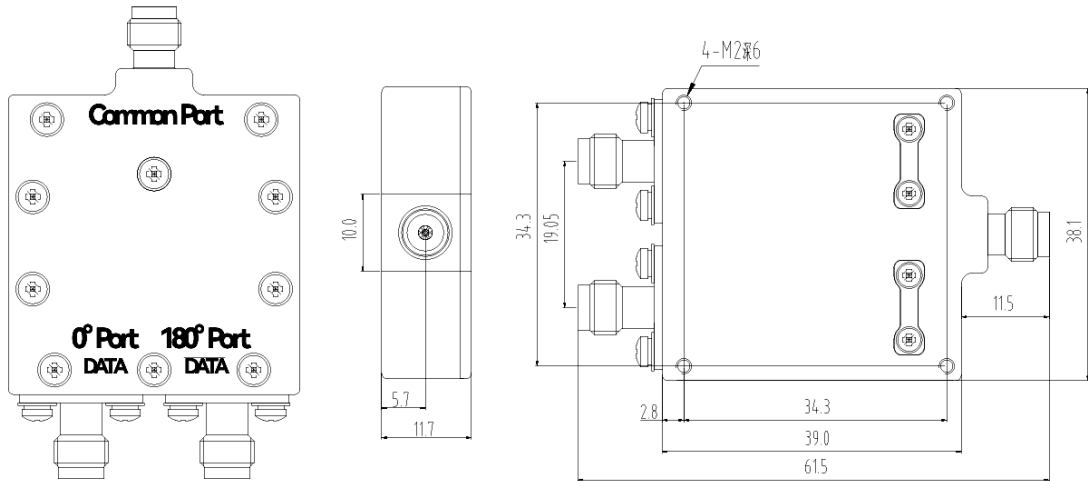
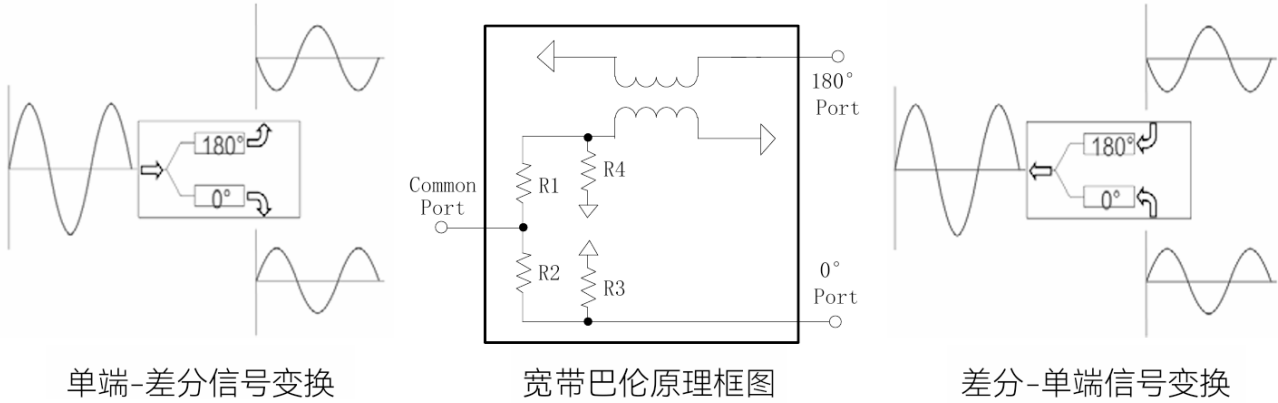


2.92mm Balun, RBLM10F40 10MHz-40GHz, 1W

Dimensions(mm) Tolerance $\pm 1\%$



Electrical & Environmental

Frequency Range	10MHz-40GHz	Impedance	50 Ohm
VSWR Primary	1.35 Max (Typ.1.25)		
VSWR Secondary	2.1 Max (Typ.1.7)		
Insertion Loss	10.3dB Max (Typ.8.8dB; Sds21:7.3dBmax,Typ.6.3dB)		
Phase Balance	$\pm 6^\circ$ (Typ. $\pm 4^\circ$)		
Input Avg Power	1 Watts max @25°C		
Operating Temp	-40°C~+70°C		

Mechanical & Product Information

Product Number	RBLM10F40	Product Type	Balun
Connector	2.92mm Female	Connector Body	Passivated stainless steel
Center Contact	Gold plated beryllium copper		
Housing	Grey paint		
Dimensions	39(L) \times 38.1(W) \times 11.7(H)mm	Net Weight	About 53.0g



Microwave and Millimeter wave products
supplier

RFTOP® Technology Co., Ltd.
www.rftop.com service@rftop.com 86-755-88840350