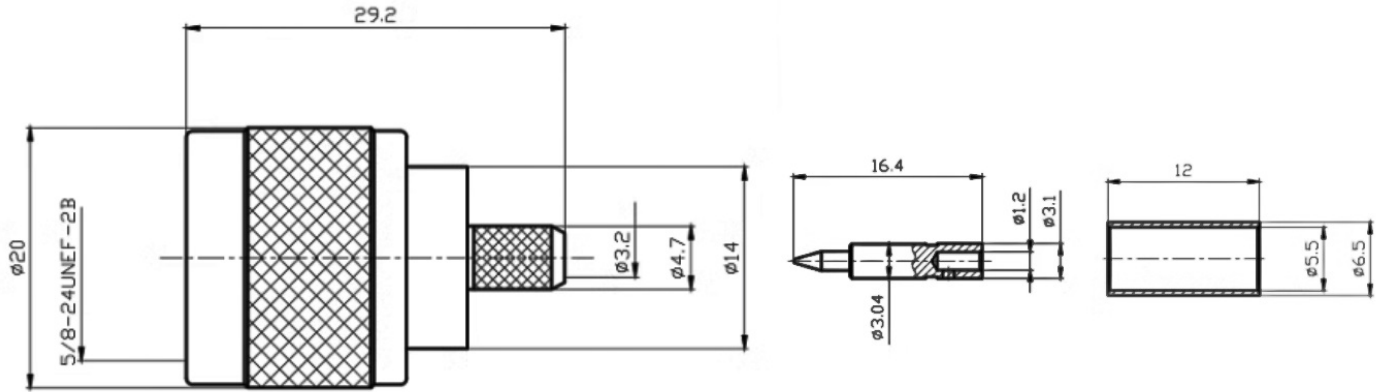




## N Male Cable Connector, RC6NM-B3

### DC-6GHz, Straight, Attachment for RG58/3DFB Series Cable

Dimensions(mm) Tolerance $\pm 1\%$



### Electrical & Environmental

Frequency Range	DC-6GHz
Impedance	50 ohm
VSWR	1.25 max
Insulation Resistance	$\geq 5000 \text{ M}\Omega$
Withstand Voltage	2500 V
Mating Cycles	> 500 Cycles
Temperature Range	-45°C ~ +125°C

### Mechanical & Product Information

Product Number	RC6NM-B3, E-Grade
Product Type	N Male, Cable Connector
Shape/Mounting	Straight
Attachment Method	Crimp
Attachment for	RG58/3DFB Series Cable
Connector Body	Nickel plated brass
Center Contact	Gold plated brass
Insulator	PTFE
Dimension	29.2(L)*20( $\phi$ )mm
Net Weight	About 23g