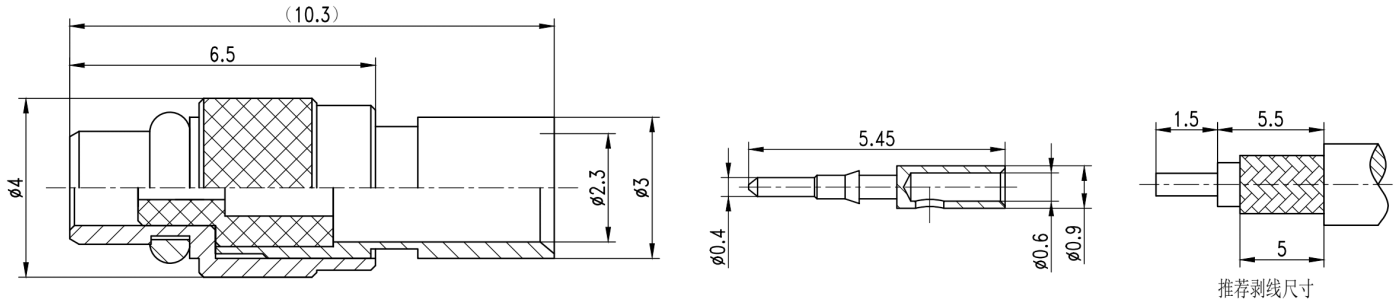


MMCX Male Cable Connector, RC6MMCMB-B086 DC-6GHz, Straight, Attachment for 086、RG405 Cable

Dimensions(mm) Tolerance $\pm 1\%$



Electrical & Environmental

Frequency Range	DC-6GHz	Impedance	50 ohm
VSWR	1.3 Max	Withstand Voltage	500 V
Mating Cycles	> 500 Cycles	Temperature Range	-55°C ~ +165°C

Mechanical & Product Information

Product Number	RC6MMCMB-B086, P-Grade	Connector	MMCX Male
Shape/Mounting	Straight	Attachment Method	Solder
Attachment for	086、RG405 Series Cable		
Connector Body	Gold plated brass/Gold plated Phosphor bronze	Insulator	PTFE
Center Contact	Gold plated brass		
Dimension	10.3(L)mm	Net Weight	-