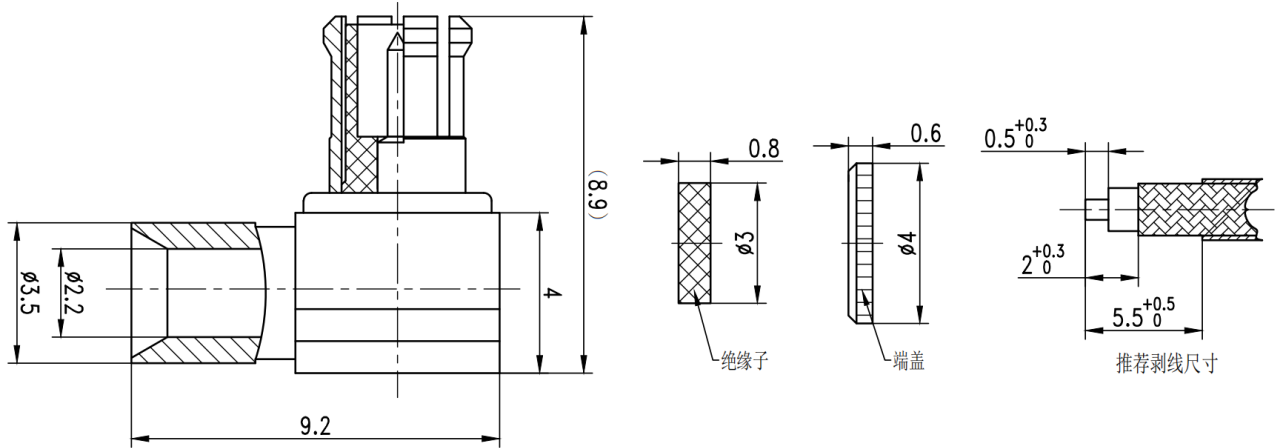


## MCX Male Cable Connector, RC6MCMWB-BB2 DC-6GHz, Right Angle, Attachment for RG405 Cable

Dimensions(mm) Tolerance $\pm 1\%$



### Electrical & Environmental

Frequency Range	DC-6GHz	Impedance	50 ohm
VSWR	-	Withstand Voltage	500 V
Mating Cycles	> 500 Cycles	Temperature Range	-55°C ~ +165°C

### Mechanical & Product Information

Product Number	RC6MCMWB-BB2, P-Grade	Connector	MCX Male
Shape/Mounting	Right Angle	Attachment Method	Solder
Attachment for	RG405 Series Cable		
Connector Body	Gold plated beryllium copper/Gold plated brass	Insulator	PTFE
Center Contact	Gold plated brass		
Dimension	8.9(L) $\times$ 9.2(W)mm	Net Weight	-