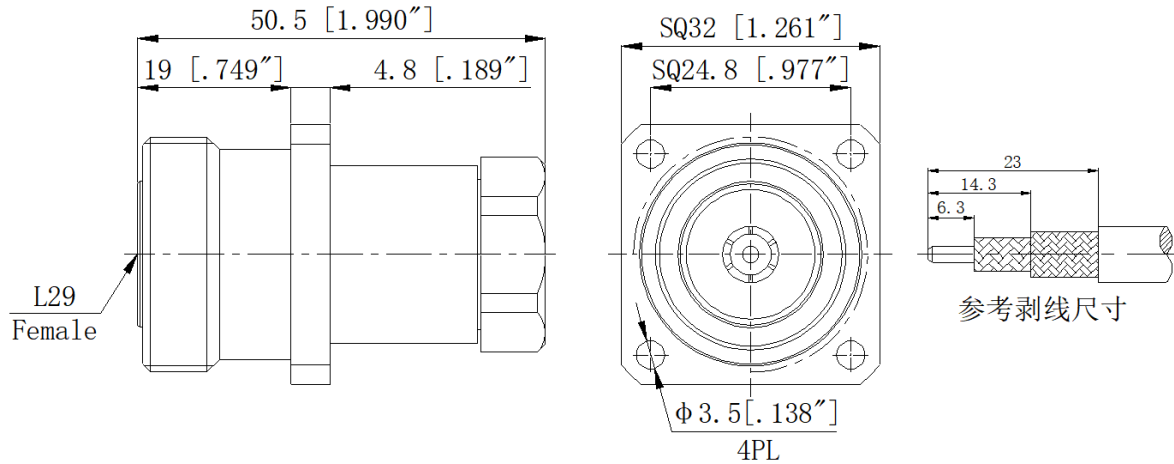


L29 Female Cable Connector, RC6DFB-B4FB1500 DC-6GHz, Straight, 4 hole flange, Attachment for RCB1500 Cable

Dimensions(mm) Tolerance±1%



Electrical & Environmental

Frequency Range	DC-6GHz	Impedance	50 ohm
VSWR	1.3 Max	Withstand Voltage	2500 V
Mating Cycles	> 500 Cycles	Temperature Range	-55°C~+165°C

Mechanical & Product Information

Product Number	RC6DFB-B4FB1500, P-Grade	Connector	L29(DIN 7/16) Female
Shape/Mounting	Straight , 4 hole flange	Attachment Method	Solder
Attachment for	RCB1500 Series Cable		
Connector Body	Ternary alloy plated brass	Insulator	PTFE
Center Contact	Sliver plated Tin bronze		
Dimension	50.5(L)mm	Net Weight	-