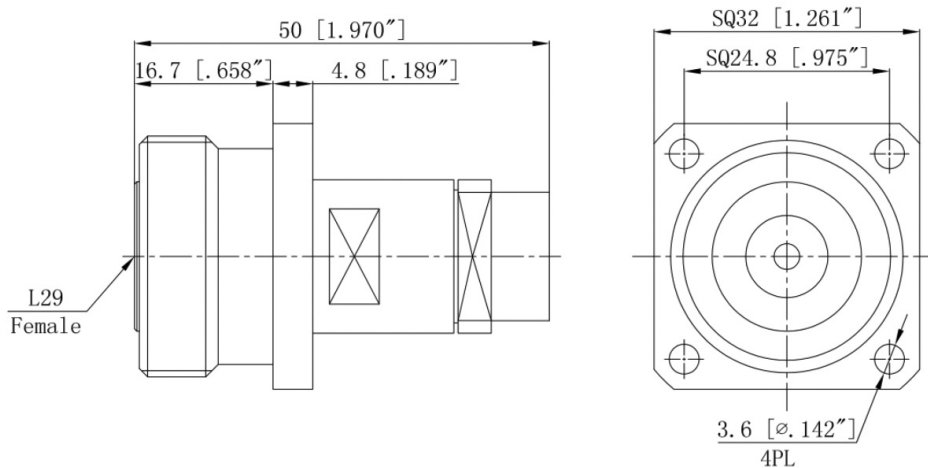


## L29 Female Cable Connector, RC6DFB-B4FB1200 DC-6GHz, Straight, 4 hole flange, Attachment for RCB1200 Cable

### Dimensions(mm) Tolerance±1%



### Electrical & Environmental

<b>Frequency Range</b>	DC-6GHz	<b>Impedance</b>	50 ohm
<b>VSWR</b>	1.3 Max	<b>Withstand Voltage</b>	1000 V
<b>Mating Cycles</b>	> 500 Cycles	<b>Temperature Range</b>	-55°C~+165°C

### Mechanical & Product Information

<b>Product Number</b>	RC6DFB-B4FB1200, P-Grade	<b>Connector</b>	L29(DIN 7/16) Female
<b>Shape/Mounting</b>	Straight , 4 hole flange	<b>Attachment Method</b>	Solder
<b>Attachment for</b>	RCB1200 Series Cable		
<b>Connector Body</b>	Ternary alloy plated brass	<b>Insulator</b>	PTFE
<b>Center Contact</b>	Gold plated Tin bronze		
<b>Dimension</b>	50(L)mm	<b>Net Weight</b>	-