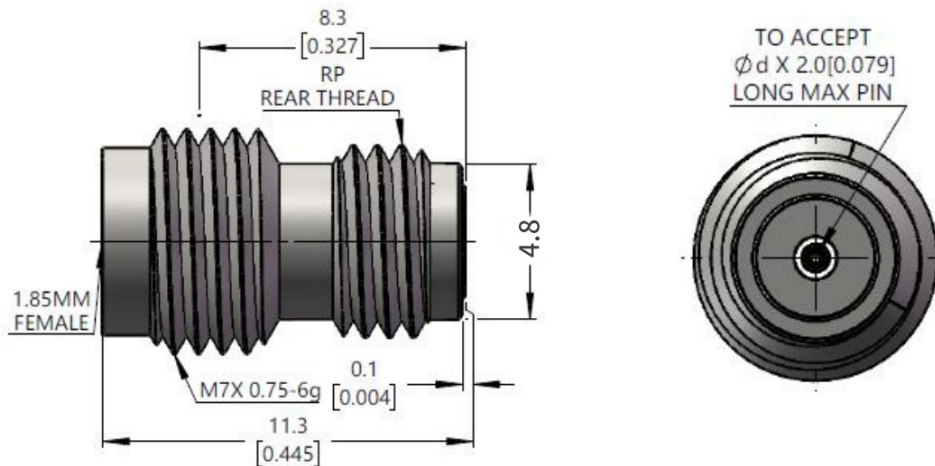




1.85mm Female Bulkhead Flange Connector, RC67VF-MYD02-XX DC-67GHz, Straight, Bulkhead

Dimensions(mm) Tolerance±1%



Product Selection

D(mm)	RFTOP P/N
0.23	RC67VF-MYD02-023
0.30	RC67VF-MYD02-030

Electrical & Environmental

Frequency Range	DC-67GHz	Impedance	50 ohm
VSWR	1.25 max	Withstand Voltage	750 V
Insulation Resistance	≥ 5000 MΩ	Contact Resistance	≤ In:3.0/Out:2.0 mΩ
Mating Cycles	> 500 Cycles	Temperature Range	-55°C~+165°C

Mechanical & Product Information

Product Number	RC67VF-MYD02-XX	Connector	1.85mm Female
Shape/Mounting	Straight , Bulkhead	Attachment Method	Solder
Connector Body	Passivated stainless steel	Insulator	PEI
Center Contact	Gold plated beryllium copper		
Dimension	11.3(L)*4.8(φ)mm	Net Weight	-