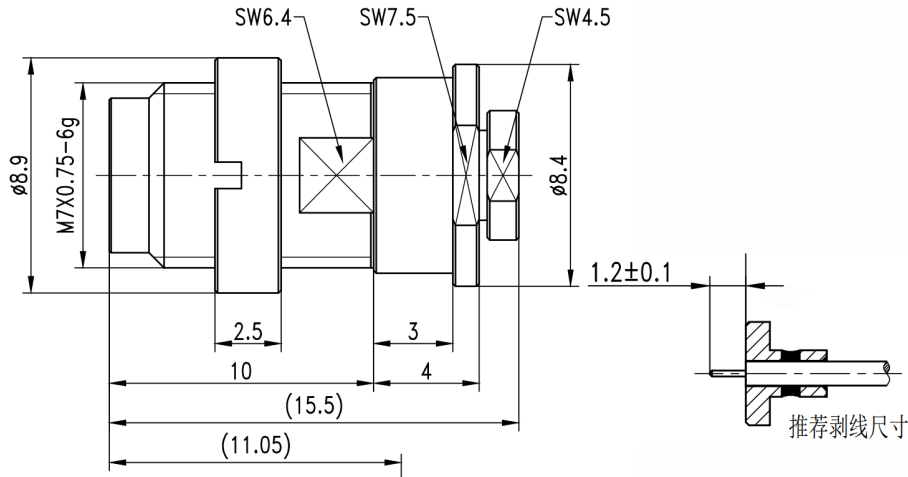


1.85mm Female Cable Connector, RC67FY-B034 DC-67GHz, Straight, Bulkhead, Attachment for 0.034Series Cable

Dimensions(mm) Tolerance $\pm 1\%$



Electrical & Environmental

Frequency Range	DC-67GHz
Impedance	50 ohm
VSWR	1.3 max
Insulation Resistance	$\geq 5000 \text{ M}\Omega$
Withstand Voltage	500 V
Mating Cycles	> 500 Cycles
Temperature Range	-55°C ~ +165°C

Mechanical & Product Information

Product Number	RC67FY-B034, H-Grade
Product Type	1.85mm Female, Cable Connector
Shape/Mounting	Straight, Bulkhead
Attachment Method	Solder
Attachment for	0.034 Series Cable
Connector Body	Passivated stainless steel 316F
Center Contact	Gold plated beryllium copper
Insulator	PEI
Dimension	15.5(L)mm