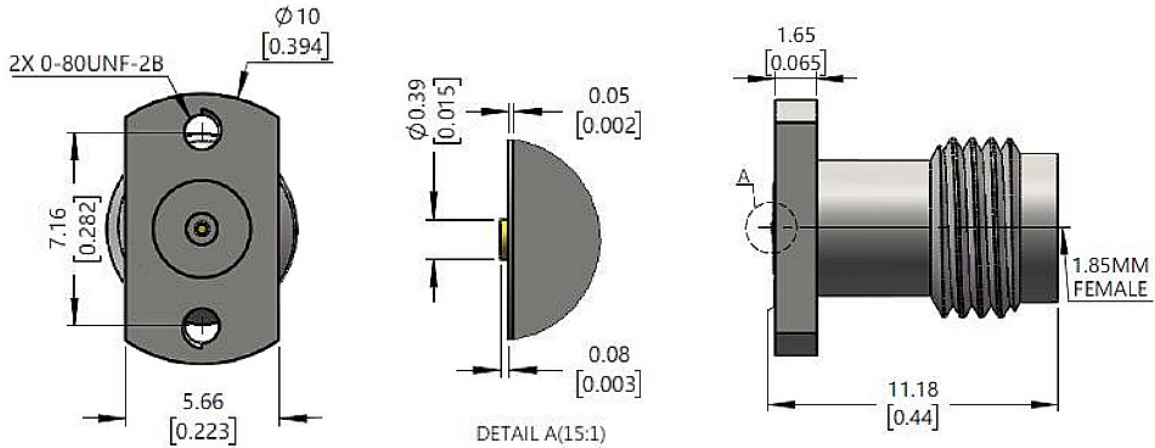


1.85mm Female PCB Connector, RC67FH-VL051 DC-67GHz, Straight, 2 hole flange, 7.16mm Hole Spacing, 0.51mm Pin

Dimensions(mm) Tolerance±1%



Electrical & Environmental

Frequency Range	DC-67GHz	Impedance	50 ohm
VSWR	1.2 Max	Withstand Voltage	750 V
Insulation Resistance	$\geq 5000 \text{ M}\Omega$	Contact Resistance	$\leq \text{In:}3.0/\text{Out:}2.0 \text{ m}\Omega$
Mating Cycles	> 500 Cycles	Temperature Range	-55°C~+165°C

Mechanical & Product Information

Product Number	RC67FH-VL051, U-Grade	Connector	1.85mm Female
Shape/Mounting	Straight , 2 hole flange	Attachment Method	Clamp
Connector Body	Passivated stainless steel	Insulator	ULTEM
Center Contact	Gold plated beryllium copper		
Dimension	10.8(L)mm	Net Weight	-