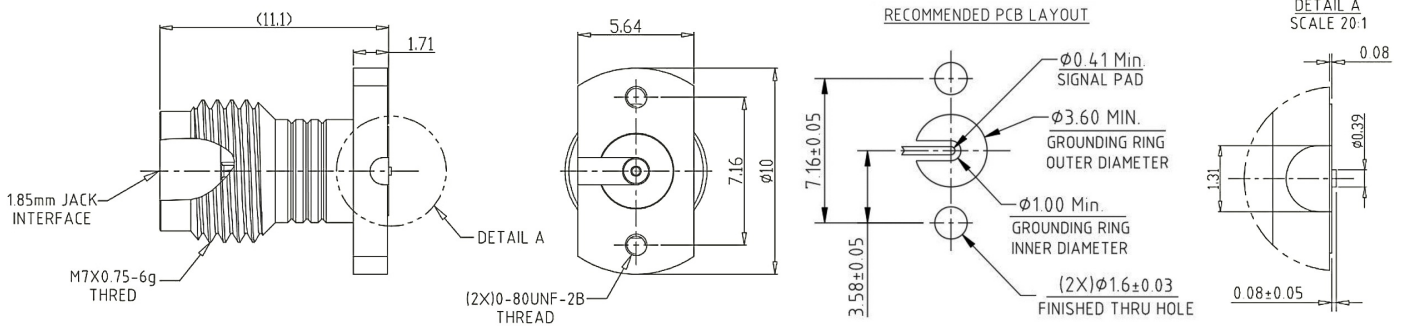




1.85mm Female PCB Connector, RC67F-VLM039

DC-67GHz, Straight, 2 hole flange, 7.16mm Hole Spacing, 0.39mm Pin

Dimensions(mm) Tolerance $\pm 1\%$



Electrical & Environmental

Frequency Range	DC-67GHz
Impedance	50 ohm
VSWR	1.35 max
Withstand Voltage	500 V
Temperature Range	-40°C ~ +125°C

Mechanical & Product Information

Product Number	RC67F-VLM039
Product Type	1.85mm Female, PCB Connector
Shape/Mounting	Straight, 2 hole flange
Attachment Method	Clamp
Connector Body	Passivated stainless steel 303
Center Contact	Gold plated beryllium copper
Insulator	PEI
Dimension	11.1(L)mm
Net Weight	About 1.9g