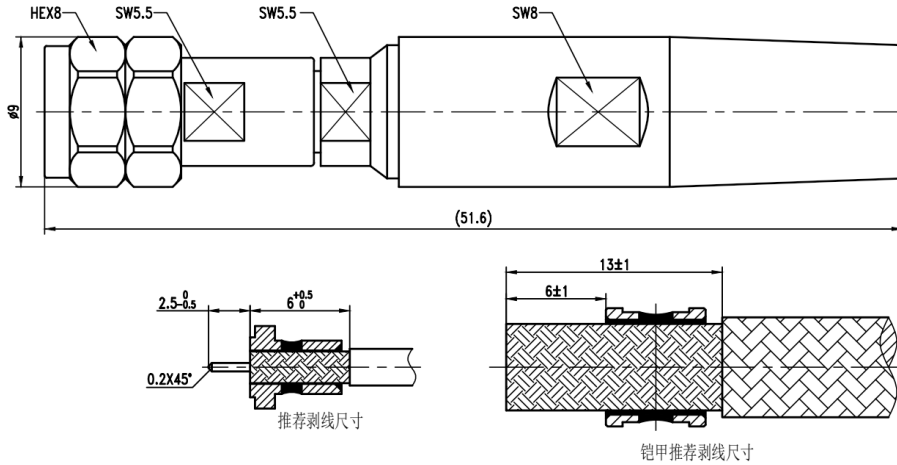


## 2.4mm Male Cable Connector, RC50UM-BA220KJ

DC-50GHz, Straight, Attachment for CXN3506、CA220, 配接铠甲: KJB40-PTFE Cable

### Dimensions(mm) Tolerance±1%



### Electrical & Environmental

|                        |              |                          |                |
|------------------------|--------------|--------------------------|----------------|
| <b>Frequency Range</b> | DC-50GHz     | <b>Impedance</b>         | 50 ohm         |
| <b>VSWR</b>            | 1.3 Max      | <b>Withstand Voltage</b> | 500 V          |
| <b>Mating Cycles</b>   | > 500 Cycles | <b>Temperature Range</b> | -55°C ~ +165°C |

### Mechanical & Product Information

|                       |  |                          |            |
|-----------------------|--|--------------------------|------------|
| <b>Product Number</b> | RC50UM-BA220KJ, P-Grade                      | <b>Connector</b>         | 2.4mm Male |
| <b>Shape/Mounting</b> | Straight                                     | <b>Attachment Method</b> | Solder     |
| <b>Attachment for</b> | CXN3506、CA220, 配接铠甲: KJB40-PTFE Series Cable |                          |            |
| <b>Connector Body</b> | Passivated stainless steel 316F              | <b>Insulator</b>         | PEI        |
| <b>Center Contact</b> | Gold plated beryllium copper                 |                          |            |
| <b>Dimension</b>      | 51.6(L)mm                                    | <b>Net Weight</b>        | -          |